



SWISS DESIGN SINCE 1911



PRODUCT CATALOGUE 2020-2021

Setting new standards in
kitchen style and performance

FRANKE

Franke Kitchen Systems
www.franke.com.hk

Authorised Dealer of The B.S.C. Group
10/20

All pictures, specifications and other content in this catalogue are the property of Franke and shall not be reproduced in any form of media without the expressed written permission from Franke.

All product images and specifications are subject to the actual technical data. Franke reserves the right to make any changes and modifications, without prior notice, resulted from technology development.

www.vosoughishop.com

دفتر مرکزی : مشهد، بین قرنی ۳۱ و ۳۳
تلفن : ۳۷۱۳۳۰۰۰ - ۵۱

MAKE IT WONDERFUL

FRANKE



CONTENTS

2020

Brand Introduction	02
Innovation / Awards	04
Sink Overview and Highlights	08
• Granite Sink	12
• Stainless Steel Sink	18
• Accessories	28
Tap Overview and Highlights	34
• Brass Tap	38
• Stainless Steel Tap	41
• Stainless Steel Filtration Tap	43
Filtration	44
Food Waste Disposer	48
Cleaning Accessories	52
Our Projects	54

SWISS HERITAGE

Since 1911

Switzerland, a beautiful country with spectacular natural landscapes and a rich history, is famous for its manufacturing excellence with uncompromising quality and design.

That's where our story began.

After pursuing detail, perfection and high quality for over a century, we stand for reliable, premium products and have a strong reputation as a dependable partner.

As a traditional Swiss brand with more than **100 years** of history, we have expanded our business across **5** continents with **9,200** employees, and own **72** branches spanning **40** countries.

There are over 100 million households using Franke products today.



OUR STORY

6 key milestones, 4 divisions, 1 successful story

TODAY

Franke Group consists of four core business divisions: Franke Kitchen Systems, Franke Foodservice Systems, Franke Water Systems and Franke Coffee Systems; Franke Kitchen Systems has become one of the world's leading providers of integrated kitchen systems.



1911

Herman Franke establishes a sheet-metal business in Rorschach, Switzerland. In the early 1930s, he manufactures the first sink unit in nickeline, monel and later, in stainless steel. Soon, series production starts and Franke launches the first fully welded, flush-mounted sink.



1946

Walter Franke draws up a model for the standardization of the private kitchen, which set kitchen technology standards still used today. They successfully export to neighboring countries, and in the following years, further expand all throughout Europe. The business also grows from private to commercial kitchens, coffee machines, and semi-public washrooms.

1978

With the purchase of Progressive Corporation in Philadelphia USA, Franke takes the first big step towards becoming a global company. During the next few years, the company also successfully continues to increase its footprint in the African markets.



1995

Franke enters the PRC market – an important step in expanding business in Asia.

Since then, Franke has established efficient and economic manufacturing facilities all over the world, successfully building the company into today's global Franke Group.



2005

Franke takes over the Faber Group of Italy, one of the top hood manufacturers in the world. This significantly strengthens their capability of being an integrated kitchen system provider.



2013

Franke acquires the top-class tap brand, KWC in Switzerland, raising our competitiveness in innovation and design. This has also further enhanced the brands' high-end positioning and image.



INNOVATION IS IN OUR DNA

We have always been passionate innovators since our beginnings.



• **FRANKE BOX SINK**

Red Dot Award 2015



• **FRAMES BY FRANKE STAINLESS STEEL SINK**

Red Dot Award 2016



• **FRAMES BY FRANKE SEMIPRO TAP**

Red Dot Award 2016



• **FRANKE STYLE SINK**

iF Design Award 2017
Red Dot Award 2017



• **FRAMES BY FRANKE GRANITE SINK**

iF Design Award 2017



• **FRANKE PESCARA RANGE OF TAPS**

iF Design Award 2017
Red Dot Award 2017



• **FRANKE CRYSTAL SEMI-PRO TAP**

iF Design Award 2018
Red Dot Design Award 2018



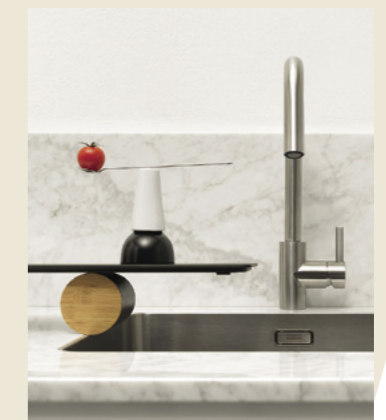
• **FRANKE BOX CENTER**

iF Design Award 2019



FRANKE KUBUS 2 RANGE OF FRAGRANITE SINKS

Red Dot Design Award 2019



FRANKE MYTHOS SINK

iF Design Award 2020





SINKS

Overview

Kitchen Sinks That Feel Tailor-Made

Everyone has a different vision of what would make their kitchen wonderful, and that often begins with how they intend to use it. The demands on your sink will dictate which material is right for your kitchen, as each precision-engineered material has individual character and unique benefits.

Our range covers everything, from the new trends to traditional favourites. All you have to do is pick the one that best complements your cooking style, your lifestyle and your personal style.

Fragranite

Superbly hard-wearing, sinks made of granite are particularly elegant and bring a natural look into your kitchen.

Our processed granite has a subtle shine and feels warm to the touch. The surface is finely textured but not porous, ensuring a high standard of hygiene. Composed of 80% quartz sand and 20% very hard acrylic resin, Franke's hard-wearing granite gives you a lifetime of beauty.

Stainless Steel

Franke stainless steel sinks are made from premium quality 304 stainless chrome nickel steel. Stunningly beautiful, highly resistant to stains, rust and corrosion - plus, it won't chip, craze, flake or break.

Franke offers sinks in a selection of stainless steel finishes, so whether you prefer the more reflective qualities of a polished finish or the subtle matt sheen of a silk or brushed finish, there's a stainless steel solution for you.

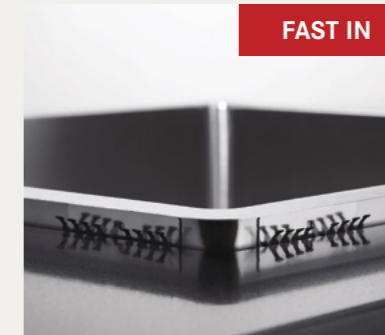
HIGHLIGHTS

Details that make the difference



Small details such as minute material processes, its forming history, or a innovative “fast-in” installation system make a huge difference in the finished product. Whether it’s to save you time, make cleaning easier, boost performance or simply provide an efficient solution for life’s little challenges, every aspect of a Franke sink is carefully designed to make life more seamless.

Choosing Your Perfect Sink



There are a number of considerations to take into account when choosing a sink. Not only how it'll accentuate the overall look and feel of your kitchen, but also how well its installation and functionality work for your lifestyle.

1. Material Options

- STAINLESS STEEL
- FRAGRANITE

2. Installation Type*

- INSET
- FLUSHMOUNT
- UNDERMOUNT

3. Number of Bowls

- **SINGLE BOWL**
Single bowl sinks come in a variety of sizes, ideal for limited space or large spaces.
- **DOUBLE BOWL**
Double bowl sinks offer great flexibility in the kitchen, providing more space, with additional options.

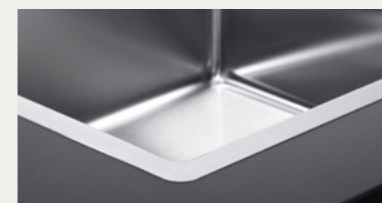
4. Cabinet size


The length and depth of the cabinet, on top of which the sink will be located, are the factors that determine the maximum size of an installed sink.

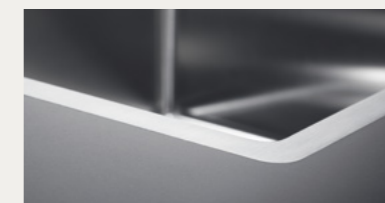
5. Bowl depth


A deeper bowl can make it easier to handle large pots and cookware, but the user's height should also be considered. A shallower bowl may provide greater comfort while working in and reaching the bottom of the sink.

Installation Type*




 **INSET** the most popular installation option: practical and easy.



 **FLUSHMOUNT** a sophisticated design that enhances the look of the worktop.

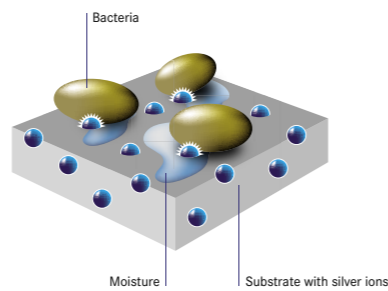


 **UNDERMOUNT** an original, refined installation choice that allows bowls and sinks to be installed underneath marble or synthetic worktops, creating a surface with immaculate lines which is highly functional, elegant and easy to maintain.



FRAGRANITE SINK

Durable and versatile, Fraganite offers a host of practical and aesthetic benefits. The surface's rich colour won't stain, mark or fade over time. Plus, having been heated up to 280°C, the material superbly hard-wearing, making it impact and scratch resistant – perfect for busy family homes. What's more, our Fraganite's Sanitized® coating reduces bacteria and microbe growth by 99%, helping keep your sink hygienic and clean.



The silver ion locates the bacteria via the moisture and deactivates it.



FRAGRANITE SINK

KUBUS 2

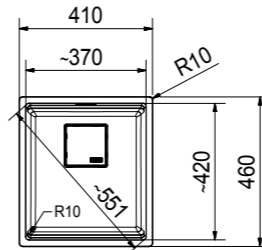
SLOVAKIA



White



Stone Grey



Model KNG 110-37 Graphite
Overall Size 410 x 460mm (LxW)
Bowl Size 370 x 420 x 200mm (LxWxD)
Cut-out Size 370 x 420mm, R10 (LxW)
Installation Undermount
Included Accessory Waste kit w/over flow
Suggested Retail Price \$4,380

KUBUS 2

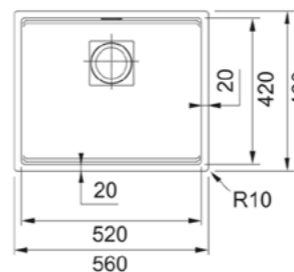
SLOVAKIA



White



Stone Grey



Model KNG 110-52 Graphite
Overall Size 560 x 460mm (LxW)
Bowl Size 520 x 420 x 200mm (LxWxD)
Cut-out Size 520 x 420mm, R10 (LxW)
Installation Undermount
Included Accessory Waste kit w/over flow
Suggested Retail Price \$5,080

KUBUS 2

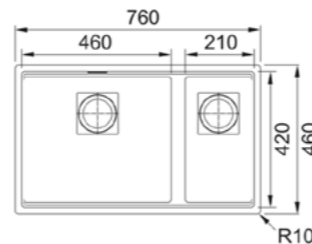
SLOVAKIA



White



Stone Grey

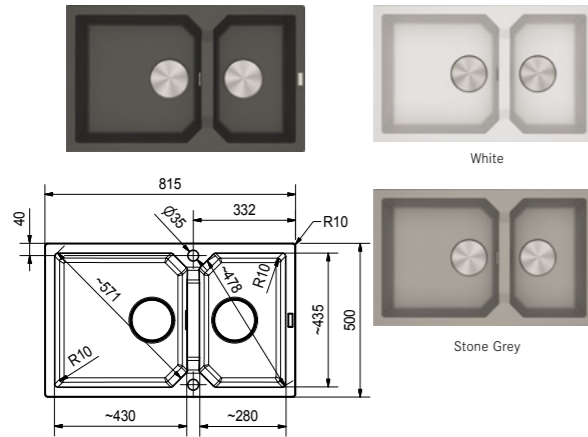


Model KNG 120 Graphite
Overall Size 760 x 460mm (LxW)
Bowl Size 460 x 420 x 200mm (LxWxD),
 210 x 420 x 200mm (LxWxD)
Cut-out Size 720 x 420mm, R10 (LxW)
Installation Undermount
Included Accessory Waste kit w/over flow
Suggested Retail Price \$5,550

FRAGRANITE SINK

FX

 SLOVAKIA

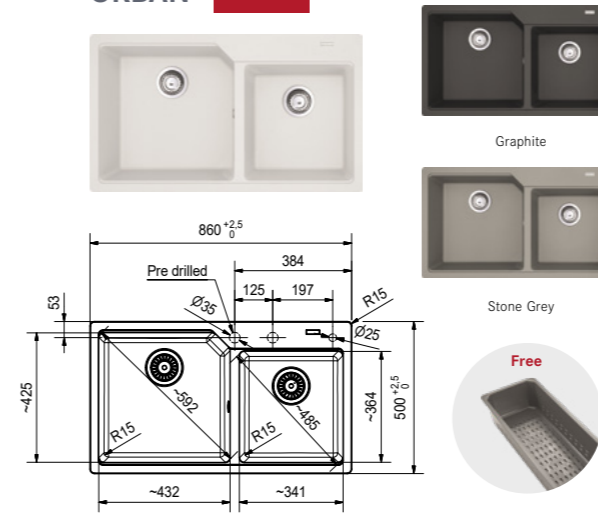


Model FXG 620 Graphite
Overall Size 815 x 500mm (LxW)
Bowl Size 430 x 435 x 200mm (LxWxD),
 280 x 435 x 200mm (LxWxD)
Cut-out Size 795 x 480mm, R5 (LxW)
Installation Inset
Included Accessory Waste kit w/over flow
Suggested Retail Price \$5,780

FRAGRANITE SINK

URBAN **NEW**

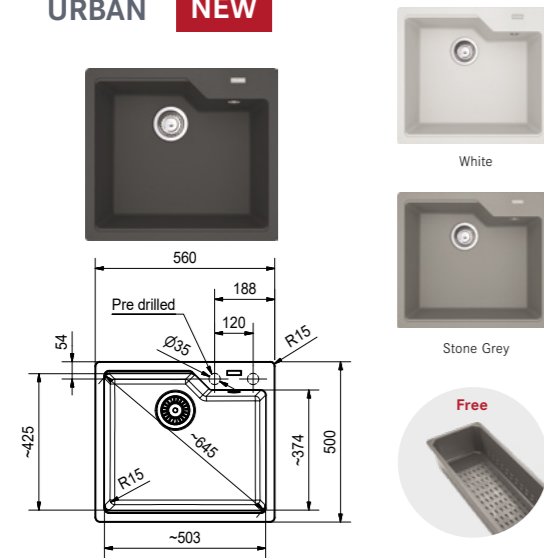
 SLOVAKIA



Model UBG 620-86 White
Overall Size 860 x 500mm (LxW)
Bowl Size 450 x 425 x 230mm(LxWxD),
 341 x 364 x 220mm (LxWxD)
Cut-out Size 822 x 462mm, R20 (LxW)
Installation Inset
Included Accessory Waste kit w/over flow, strainer bowl
Suggested Retail Price \$4,580

URBAN **NEW**

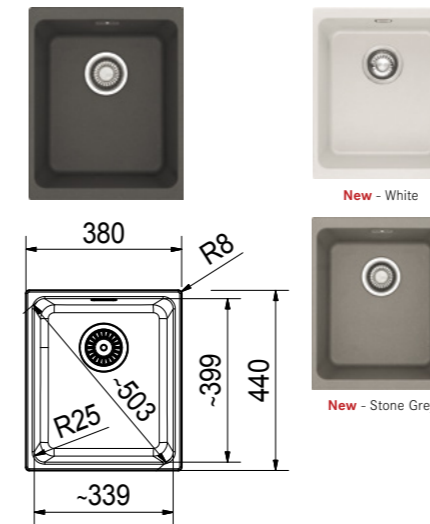
 SLOVAKIA



Model UBG 610-56 Graphite
Overall Size 560x500mm (LxW)
Bowl Size 503x425x230mm (LxWxD)
Cut-out Size 522x462mm, R20 (LxW)
Installation Inset
Included Accessory Waste kit w/over flow, strainer bowl
Suggested Retail Price \$3,880

KUBUS

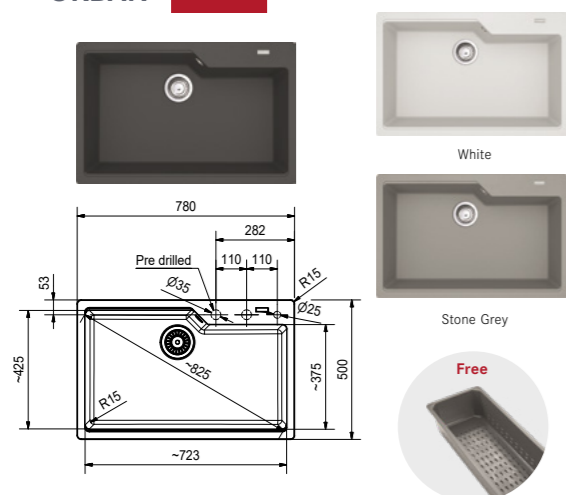
 SLOVAKIA



Model KBG 110-34 Graphite
Overall Size 380 x 440mm (LxW)
Bowl Size 340 x 400 x 200mm (LxWxD)
Cut-out Size 340 x 400mm, R25 (LxW)
Installation Undermount
Included Accessory Waste kit w/over flow
Suggested Retail Price \$3,880

URBAN **NEW**

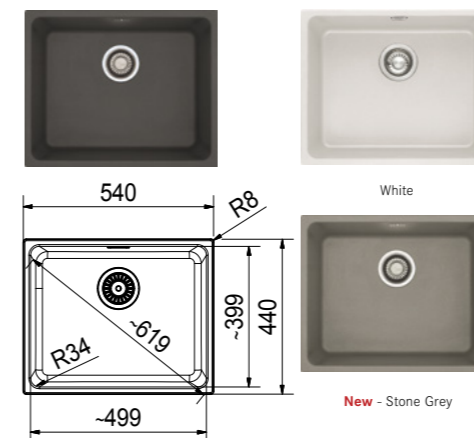
 SLOVAKIA



Model UBG 610-78 Graphite
Overall Size 780 x 500mm (LxW)
Bowl Size 723 x 425 x 230mm (LxWxD)
Cut-out Size 742 x 462mm, R20 (LxW)
Installation Inset
Included Accessory Waste kit w/over flow, strainer bowl
Suggested Retail Price \$4,280

KUBUS

 SLOVAKIA

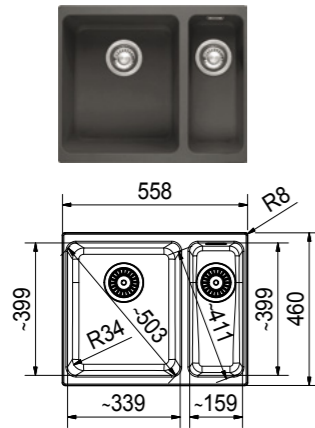


Model KBG 110-50 Graphite
Overall Size 540 x 440mm (LxW)
Bowl Size 500 x 400 x 200mm (LxWxD)
Cut-out Size 500 x 400mm, R25 (LxW)
Installation Undermount
Included Accessory Waste kit w/over flow
Suggested Retail Price \$4,430

FRAGRANITE SINK

KUBUS

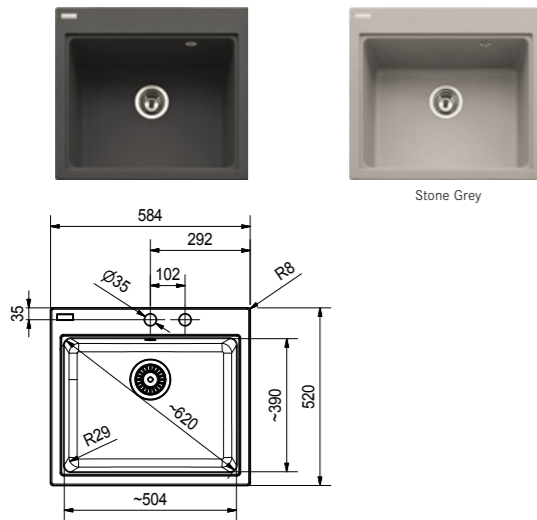
 SLOVAKIA



Model	KBG 160 Graphite
Overall Size	558 x 460mm (LxW)
Bowl Size	340x400x200mm (LxWxD), 160x400x130mm (LxWxD)
Cut-out Size	528 x 400mm, R25 (LxW)
Installation	Undermount
Included Accessory	Waste kit w/over flow
Suggested Retail Price	\$4,680

FIJI

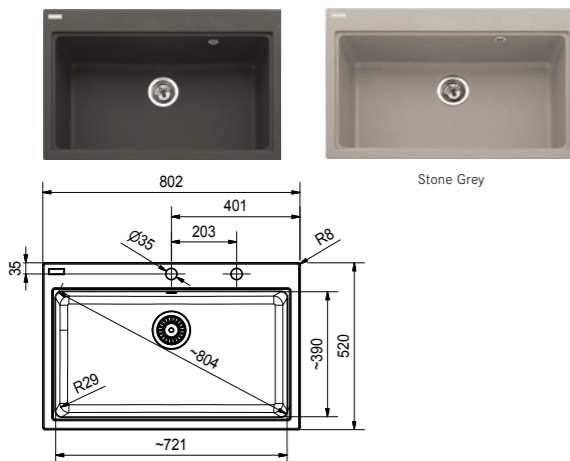
 SLOVAKIA



Model	KSG 238/ KSG 610-58 Graphite
Overall Size	584 x 520mm (LxW)
Bowl Size	504 x 390 x 200mm (LxWxD)
Cut-out Size	554 x 490mm, R8 (LxW)
Installation	Inset
Included Accessory	Waste kit w/over flow
Suggested Retail Price	\$4,180

FIJI

 SLOVAKIA

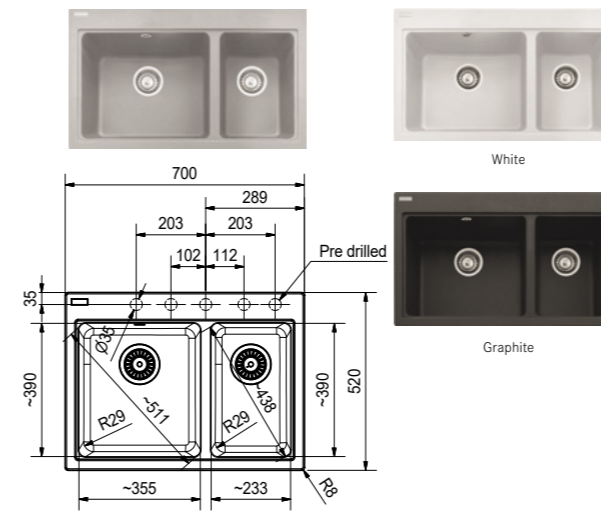


Model	KSG 318/ KSG 610 Graphite
Overall Size	802 x 520mm (LxW)
Bowl Size	721 x 390 x 200mm (LxWxD)
Cut-out Size	772 x 490mm, R8 (LxW)
Installation	Inset
Included Accessory	Waste kit w/over flow
Suggested Retail Price	\$5,780

FRAGRANITE SINK

FIJI

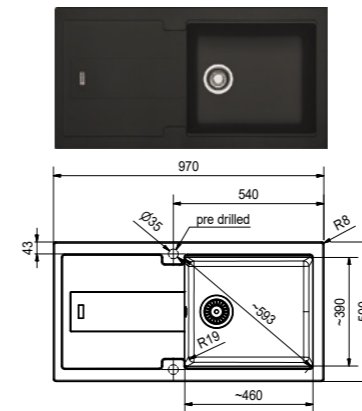
 SLOVAKIA



Model	KCG 278 Stone Grey
Overall Size	700x520mm (LxW)
Bowl Size	360x390x200mm (LxWxD), 230x390x200mm (LxWxD)
Cut-out Size	670x490mm, R8 (LxW)
Installation	Inset
Included Accessory	Waste kit w/over flow
Suggested Retail Price	\$4,980

BALI

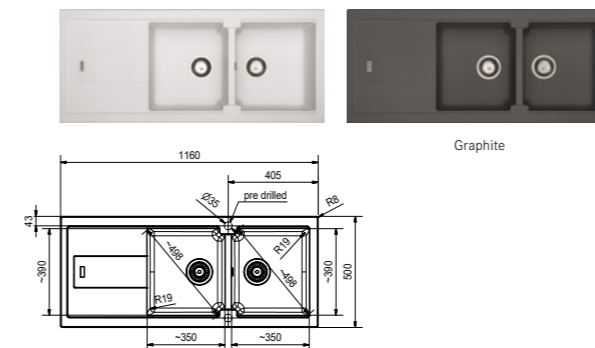
 SLOVAKIA



Model	BLG 611-97 Graphite
Overall Size	970 x 500mm (LxW)
Bowl Size	460 x 390 x 190mm (LxWxD)
Cut-out Size	950 x 480mm, R22 (LxW)
Installation	Inset
Included Accessory	Waste kit w/over flow
Suggested Retail Price	\$4,680

BALI

 SLOVAKIA



Model	BLG 621 White
Overall Size	1160 x 500mm (LxW)
Bowl Size	350 x 390 x 204mm, 350 x 390 x 204mm (LxWxD)
Cut-out Size	1140 x 480mm, R22 (LxW)
Installation	Inset
Included Accessory	Waste kit w/over flow
Suggested Retail Price	\$5,630

STAINLESS STEEL SINK

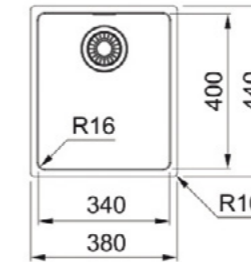
Franke offers a selection of stainless steel finishes made from 304 stainless chrome nickel steel. So, whether you prefer the more reflective qualities of a polished finish, or the subtle matt sheen of a silk or brushed finish, there's a stainless steel solution for you.



STAINLESS STEEL SINK

MARIS

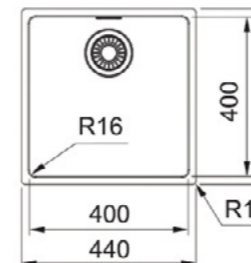
+ SWITZERLAND



Model	MRX 110-34
Radius	16
Thickness	0.8mm
Overall Size	380 x 440mm (LxW)
Bowl Size	340 x 400 x 180mm (LxWxD)
Cut-out Size	340 x 400mm, R16 (LxW)
Installation	Undermount
Included Accessory	Waste kit w/over flow
Suggested Retail Price	\$2,580

MARIS

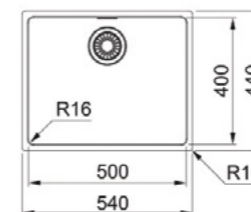
+ SWITZERLAND



Model	MRX 110-40
Radius	16
Thickness	0.8mm
Overall Size	440 x 440mm (LxW)
Bowl Size	400 x 400 x 180mm (LxWxD)
Cut-out Size	400 x 400mm, R16 (LxW)
Installation	Undermount
Included Accessory	Waste kit w/over flow
Suggested Retail Price	\$2,680

MARIS

+ SWITZERLAND

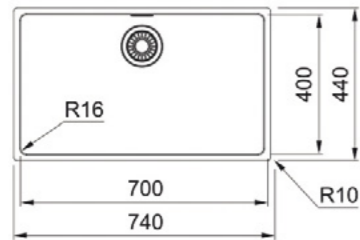


Model	MRX 110-50
Radius	16
Thickness	0.8mm
Overall Size	540 x 440mm (LxW)
Bowl Size	500 x 400 x 180mm (LxWxD)
Cut-out Size	500 x 400mm, R16 (LxW)
Installation	Undermount
Included Accessory	Waste kit w/over flow
Suggested Retail Price	\$2,980

STAINLESS STEEL SINK

MARIS

SWITZERLAND

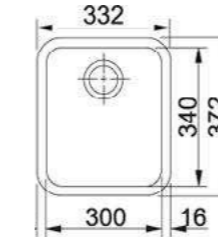


Model MRX 110-70
Radius 16
Thickness 0.8mm
Overall Size 740 x 440mm (LxW)
Bowl Size 700 x 400 x 180mm (LxWxD)
Cut-out Size 700 x 400mm, R16 (LxW)
Installation Undermount
Included Accessory Waste kit w/over flow
Suggested Retail Price \$3,880

STAINLESS STEEL SINK

GALASSIA

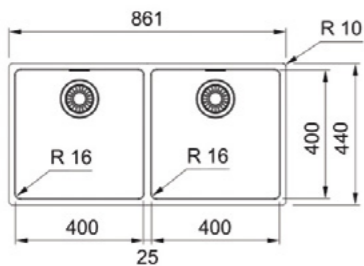
ITALY



Model GAX 110-30
Radius 49.5
Thickness 0.8mm
Overall Size 332 x 372 x 170mm (LxWxD)
Bowl Size 300 x 340 x 170mm (LxWxD)
Cut-out Size 300 x 400mm (LxW)
Installation Undermount
Included Accessory Waste kit w/over flow
Suggested Retail Price \$1,580

MARIS

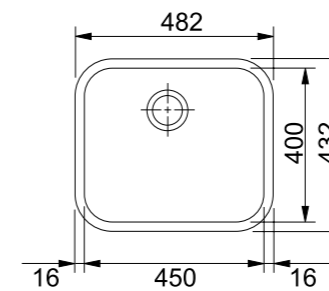
SWITZERLAND



Model MRX 120-40-40
Radius 16
Thickness 0.8mm
Overall Size 861 x 440mm (LxW)
Bowl Size 400 x 400 x 180mm (LxWxD),
 400 x 400 x 180mm (LxWxD)
Cut-out Size 825 x 400mm, R16 (LxW)
Installation Undermount
Included Accessory Waste kit w/over flow
Suggested Retail Price \$5,880

GALASSIA

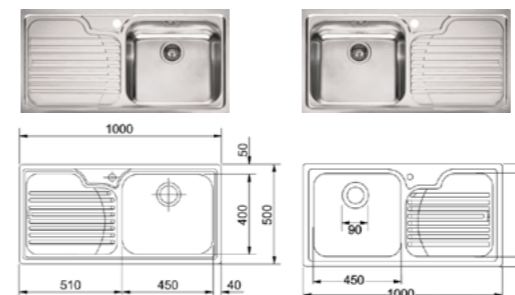
ITALY



Model GAX 110-45
Radius 69.5
Thickness 0.8mm
Overall Size 482 x 432 x 180mm (LxWxD)
Bowl Size 450 x 400 x 180mm (LxWxD)
Cut-out Size 450 x 400mm (LxW)
Installation Undermount
Included Accessory Waste kit w/over flow
Suggested Retail Price \$1,880

GALASSIA

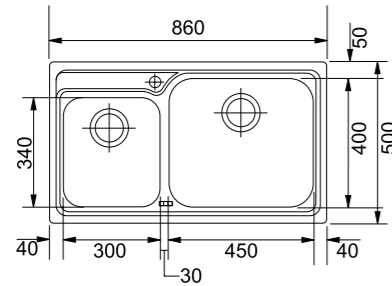
ITALY



Model GAX 611 LHD / RHD
Radius -
Thickness 0.8mm
Overall Size 1000 x 500 x 205mm (LxWxD)
Bowl Size 450 x 400 x 180mm (LxWxD)
Cut-out Size 980 x 480mm (LxW)
Installation Inset
Included Accessory Waste kit w/over flow
Suggested Retail Price \$3,080

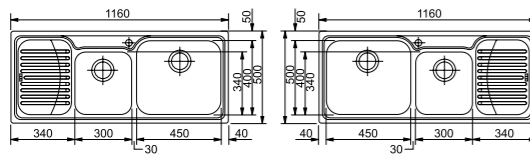
STAINLESS STEEL SINK

GALASSIA



Model GAX 620
Radius -
Thickness 0.8mm
Overall Size 860 x 500 x 205mm (LxWxD)
Bowl Size 450 x 400 x 180mm (LxWxD),
 300 x 340 x 170mm (LxWxD)
Cut-out Size 840 x 480mm (LxW)
Installation Inset
Included Accessory Waste kit w/over flow
Suggested Retail Price **\$3,780**

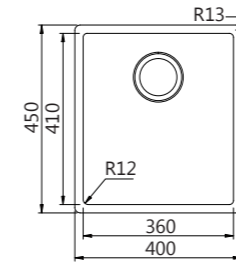
GALASSIA



Model GAX 621 LHD / RHD
Radius -
Thickness 0.8mm
Overall Size 1160 x 500 x 205mm (LxWxD)
Bowl Size 450 x 400 x 180mm (LxWxD),
 300 x 340 x 170mm (LxWxD)
Cut-out Size 1140 x 480mm (LxW)
Installation Inset
Included Accessory Waste kit w/over flow
Suggested Retail Price **\$4,080**

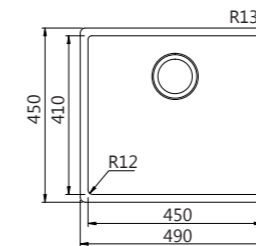
STAINLESS STEEL SINK

BOX



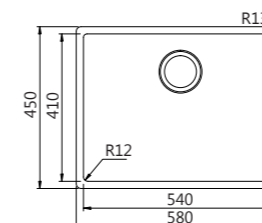
Model BXX 210-36
Radius 12
Thickness 1.2mm
Overall Size 400 x 450 x 200mm (LxWxD)
Bowl Size 360 x 410 x 200mm (LxWxD)
Cut-out Size 370 x 420mm (LxW)
Installation Inset, flushmount, undermount
Included Accessory Waste kit w/over flow
Suggested Retail Price **\$2,460**

BOX



Model BXX 210-45
Radius 12
Thickness 1.2mm
Overall Size 490 x 450 x 200mm (LxWxD)
Bowl Size 450 x 410 x 200mm (LxWxD)
Cut-out Size 460 x 420mm (LxW)
Installation Inset, flushmount, undermount
Included Accessory Waste kit w/over flow
Suggested Retail Price **\$2,660**

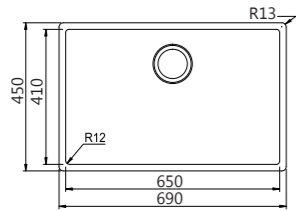
BOX



Model BXX 210-54
Radius 12
Thickness 1.2mm
Overall Size 580 x 450 x 200mm (LxWxD)
Bowl Size 540 x 410 x 200mm (LxWxD)
Cut-out Size 550 x 420mm (LxW)
Installation Inset, flushmount, undermount
Included Accessory Waste kit w/over flow
Suggested Retail Price **\$2,760**

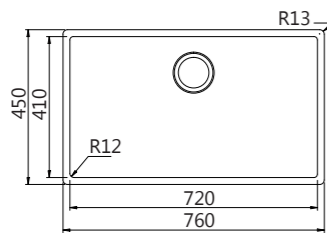
STAINLESS STEEL SINK

BOX



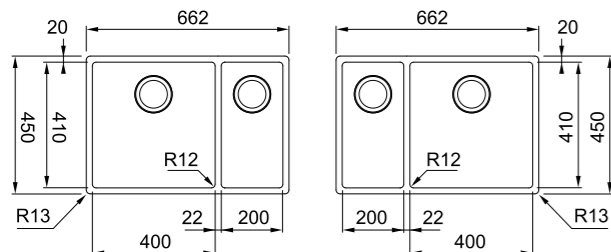
Model	BXX 210-65
Radius	12
Thickness	1.2mm
Overall Size	690 x 450 x 200mm (LxWxD)
Bowl Size	650 x 410 x 200mm (LxWxD)
Cut-out Size	660 x 420mm (LxW)
Installation	Inset, flushmount, undermount
Included Accessory	Waste kit w/over flow
Suggested Retail Price	\$2,960

BOX



Model	BXX 210-72
Radius	12
Thickness	1.2mm
Overall Size	760 x 450 x 200mm (LxWxD)
Bowl Size	720 x 410 x 200mm (LxWxD)
Cut-out Size	730 x 420mm (LxW)
Installation	Inset, flushmount, undermount
Included Accessory	Waste kit w/over flow
Suggested Retail Price	\$3,660

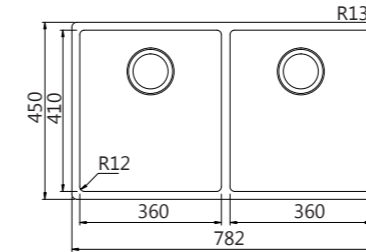
BOX



Model	BXX 260-40 SBR / SBL
Radius	12
Thickness	1.2mm
Overall Size	662 x 450 x 200mm (LxWxD)
Bowl Size	400 x 410 x 200mm (LxWxD), 200 x 410 x 200mm (LxWxD)
Cut-out Size	632 x 420mm (LxW)
Installation	Inset, flushmount, undermount
Included Accessory	Waste kit w/over flow
Suggested Retail Price	\$4,360

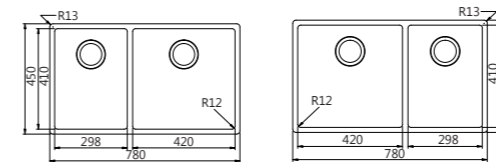
STAINLESS STEEL SINK

BOX



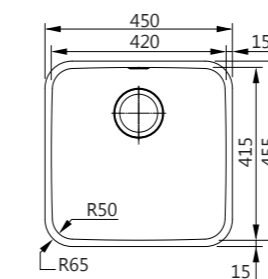
Model	BXX 220-36-36
Radius	12
Thickness	1.2mm
Overall Size	782 x 450 x 200mm (LxWxD)
Bowl Size	360 x 410 x 200mm (LxWxD), 360 x 410 x 200mm (LxWxD)
Cut-out Size	752 x 420mm (LxW)
Installation	Inset, flushmount, undermount
Included Accessory	Waste kit w/over flow
Suggested Retail Price	\$4,860

BOX



Model	BXX 220-74 SBL / SBR
Radius	12
Thickness	1.2mm
Overall Size	780 x 450 x 200mm (LxWxD)
Bowl Size	420 x 410 x 200mm (LxWxD), 298 x 410 x 200mm (LxWxD)
Cut-out Size	750 x 420mm (LxW)
Installation	Inset, flushmount, undermount
Included Accessory	Waste kit w/over flow
Suggested Retail Price	\$4,960

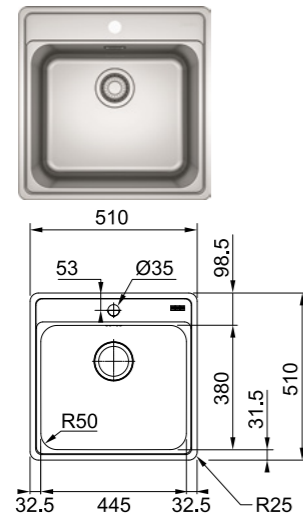
BELL



Model	BCX 110-42
Radius	50
Thickness	0.8mm
Overall Size	450 x 445mm (LxW)
Bowl Size	420 x 415 x 200mm (LxWxD)
Cut-out Size	420 x 415mm, R50 (LxW)
Installation	Undermount
Included Accessory	Waste kit w/over flow
Suggested Retail Price	\$1,050

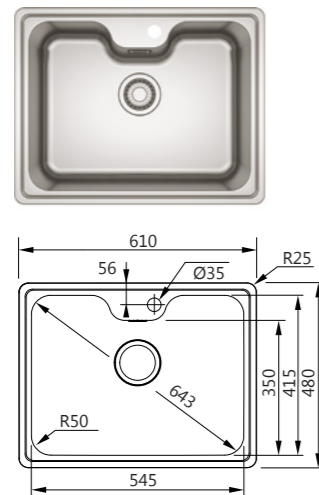
STAINLESS STEEL SINK

BELL



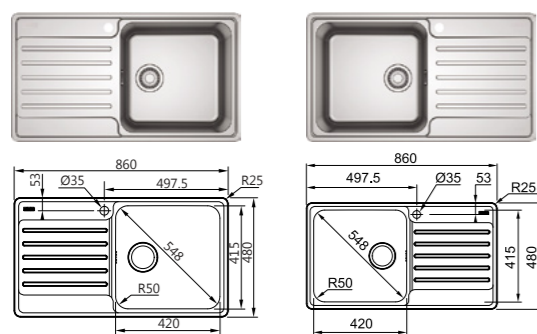
Model	BCX 610-51
Radius	50
Thickness	0.8mm
Overall Size	510 x 510mm (LxW)
Bowl Size	445 x 380 x 200mm (LxWxD)
Cut-out Size	486 x 486mm, R10 (LxW)
Installation	Inset
Included Accessory	Waste kit w/over flow
Suggested Retail Price	\$1,350

BELL



Model	BCX 610-61
Radius	50
Thickness	0.8mm
Overall Size	610 x 480mm (LxW)
Bowl Size	545 x 415 x 200mm (LxWxD)
Cut-out Size	586 x 456mm, R10 (LxW)
Installation	Inset
Included Accessory	Waste kit w/over flow
Suggested Retail Price	\$1,550

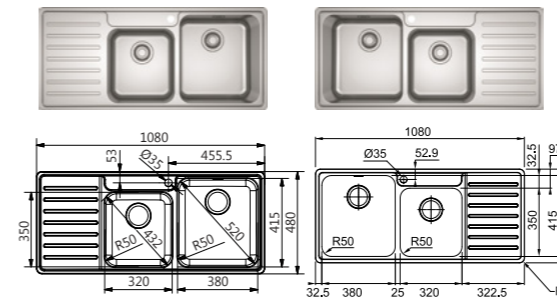
BELL



Model	BCX 611-86 LHD / RHD
Radius	50
Thickness	0.8mm
Overall Size	860 x 480mm (LxW)
Bowl Size	420 x 415 x 200mm (LxWxD)
Cut-out Size	836 x 456mm, R10 (LxW)
Installation	Inset
Included Accessory	Waste kit w/over flow
Suggested Retail Price	\$1,820

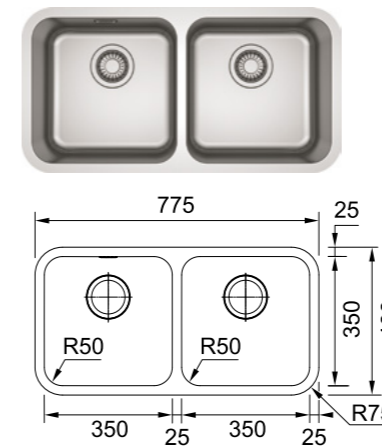
STAINLESS STEEL SINK

BELL



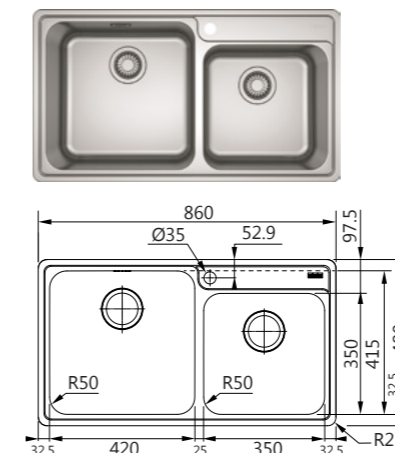
Model	BCX 621 LHD / RHD
Radius	50
Thickness	0.8mm
Overall Size	1080 x 480mm (LxW)
Bowl Size	380 x 415 x 180mm (LxWxD), 320 x 350 x 160mm (LxWxD)
Cut-out Size	1056 x 456mm, R10 (LxW)
Installation	Inset
Included Accessory	Waste kit w/over flow
Suggested Retail Price	\$2,340

BELL



Model	BCX 120-35-35
Radius	50
Thickness	0.8mm
Overall Size	775 x 400mm (LxW)
Bowl Size	350 x 350 x 180mm (LxWxD), 350 x 350 x 180mm (LxWxD)
Cut-out Size	725 x 350mm, R50 (LxW)
Installation	Undermount
Included Accessory	Waste kit w/over flow
Suggested Retail Price	\$1,420

BELL



Model	BCX 620-42-35
Radius	50
Thickness	0.8mm
Overall Size	860 x 480mm (LxW)
Bowl Size	420 x 415 x 200mm (LxWxD), 350 x 350 x 180mm (LxWxD)
Cut-out Size	836 x 456mm, R10 (LxW)
Installation	Inset
Included Accessory	Waste kit w/over flow
Suggested Retail Price	\$2,020

ACCESSORIES

A seamless supplement to your sink

Turn your sink into a multi-functional work station with the addition of clever accessories that combine function and technology. From items that aid a hygienic kitchen, to those that make preparation a joy, you'll find accessories that surprise and delight, such as the lightboard that fits exactly over the bowl of the sink and acts as an ambient cover.



THE BEST-SELLING ROLLER MATT

A Franke classic that's not only useful and versatile, but also adds an elegant look to your sink.



THE NEAT STRAINER BOWL

A beautiful strainer bowl that simply fits. The anti-scratch frame glides perfectly on the edge of the sink: move it to where you need it.



WOODEN CHOPPING BOARD

Our Chopping Board fits your sink perfectly, sitting securely over the bowl. Allowing you to maximise workspace and transform your sink into a multi-purpose workstation.



WIRE BASKET

The Wire Basket is indispensable to hygienically dry your crockery and utensils. Designed to sit firmly on your drainer to balance your dishes firmly and securely so you air dry with confidence.

FRAGRANITE SINK ACCESSORIES



Type Chopping Board
Model 200-292
Size 430 x 225 x 18mm
Material Bamboo
Suggested Retail Price \$210



Type Chopping Board
Model 200-302
Size 442 x 230 x 20mm
Material Wooden
Suggested Retail Price \$260



Type Chopping Board
Model 200-301
Size 534 x 220 x 36mm
Material Wooden
Suggested Retail Price \$300



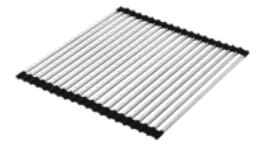
Type Strainer Bowl
Model 230-111
Size 456 x 179 x 92mm
Material Polypropylene
Suggested Retail Price \$380



Type Strainer Bowl
Model 230-106
Size 418 x 156 x 54mm
Material Stainless Steel 304 & Polypropylene
Suggested Retail Price \$680



Type Strainer Bowl
Model 230-115
Size 160 x 405 x 55mm
Material Stainless Steel
Suggested Retail Price \$350



Type Roller Mat
Model 210-427
Size 298 x 410mm
Material Stainless Steel
Suggested Retail Price \$380

KNG									
FXG									
KBG									
KSG									
KCG									
BLG									



Type Deeper Waste Kit with Hidden Overflow (Sanitized)
Model 440-179 + 460-179
Suggested Retail Price \$360



Type Deeper Waste Kit without Overflow (Sanitized)
Model 440-180
Suggested Retail Price \$230



Type Low-profile Waste Kit without Overflow (Sanitized)
Model 440-177
Suggested Retail Price \$150



Type Low-profile Waste Kit with Overflow (Sanitized)
Model 440-178 + 460-107
Suggested Retail Price \$240



Type Waste Kit without Overflow
Model 440-183
Suggested Retail Price \$150



Type Waste Kit with Overflow
Model 440-181+ 440-182
Suggested Retail Price \$240



Type Waste Kit without Overflow
Model 112.0332.277
Suggested Retail Price \$150



Type Waste Kit with Overflow
Model 133.0537.939+ 112.0604.234
Suggested Retail Price \$240



Type Soap Dispenser
Model 240-539
Suggested Retail Price \$280

KNG									
FXG									
UBG									
KBG									
KSG									
KCG									

STAINLESS STEEL SINK ACCESSORIES



Type Chopping Board
Model 112.0530.071
Size 200 x 440 x 16mm
Material Polypropylene
Suggested Retail Price \$380



Type Chopping Board
Model 200-285
Size 366 x 220 x 18mm
Material Rubber Wood
Suggested Retail Price \$160



Type Chopping Board
Model 200-298
Size 435 x 220 x 23mm
Material Rubber Wood
Suggested Retail Price \$210



Type Chopping Board
Model 200-292
Size 430 x 225 x 18mm
Material Bamboo
Suggested Retail Price \$210



Type Chopping Board
Model 200-291
Size 428 x 336 x 25.5mm
Material Wooden
Suggested Retail Price \$320



Type Wire Basket
Model 210-423
Size 300 x 385 x 100mm
Material Stainless Steel
Suggested Retail Price \$270



Type Wire Basket
Model 230-098
Size 340 x 305 x 150mm
Material Stainless Steel
Suggested Retail Price \$330

MRX	●						
BXX					●	●	
BCX 110-42				●			●
BCX 610-51						●	●
BCX 610-61				●		●	●
BCX 611-86 LHD / RHD				●		●	●
BCX 621 LHD / RHD				●		●	●
BCX 120-35-35		●				●	●
BCX 620-42-35		●				●	●



Type Strainer Bowl
Model 112.0057.850
Size 172 x 412 x 57mm
Material Stainless Steel
Suggested Retail Price \$710



Type Strainer Bowl
Model 230-093
Size 429 x 150 x 50mm
Material Stainless Steel 304 & Polypropylene
Suggested Retail Price \$610



Type Roller Mat
Model 210-414
Size 468 x 440mm
Material Stainless Steel
Suggested Retail Price \$480

MRX	●		●
BXX		●	●

GENERAL ACCESSORIES FOR STAINLESS STEEL SINK



Type Waste Kit without Overflow
Model 440-144
Suggested Retail Price \$100



Type Waste Kit with Hidden Overflow
Model 440-153
Suggested Retail Price \$210



Type Deeper Waste Kit with Hidden Overflow (Sanitized)
Model 440-179 + 460-179
Suggested Retail Price \$360



Type Deeper Waste Kit without Overflow (Sanitized)
Model 440-180
Suggested Retail Price \$230



Type Low-profile Waste Kit without Overflow (Sanitized)
Model 440-177
Suggested Retail Price \$150



Type Low-profile Waste Kit with Overflow (Sanitized)
Model 440-178 + 460-106
Suggested Retail Price \$240



NEW
Type Soap Dispenser
Model 240-539
Suggested Retail Price \$280



TAPS

Overview

Taps Worth Talking About

The perfect kitchen tap combines form and function, making your life easier and your kitchen more beautiful. Franke taps are a superior choice, renowned for design, quality components, and rigorous manufacturing processes. With the acquisition of KWC Switzerland, Franke has gained a strong partner and increased expertise in high-end tap manufacturing and design.

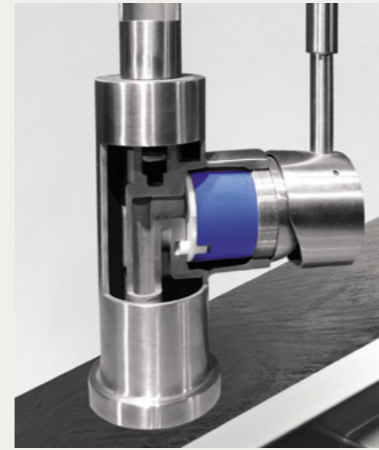


HIGHLIGHTS

Kitchen taps designed to the finest standards



Explore endless shape, line and contour possibilities to make an ordinary kitchen something special. The Franke tap range provides your kitchen with a focal point – and in some cases, a talking point. Featuring cutting edge design and a whole host of innovative features to enhance your lifestyle – from filtered cold water, to instant boiling water – the range spans the entire spectrum of form and function.



Design

Franke's line of kitchen taps perfectly captures all the elements of today's design choices – traditional, transitional, and contemporary. With everything from top flight European models with a sleek minimalist line, to classic models that are the centerpiece to any kitchen, the addition of a Franke tap can reinvigorate an existing kitchen or make a statement all its own in a fresh design.

Manufacturing

Outstanding design and quality components come together beautifully in our manufacturing process. Strict adherence to Franke manufacturing standards in forming, finishing and final assembly achieve the exceptional quality and durability that makes a Franke tap one of the most desired additions to a kitchen.



Hygiene

Superior materials with corrosion resistant and easy-cleaning features guarantee that no harmful materials enter the taps' flow of water.



Durability

Scratch and acid resistant features of high quality SUS304 stainless steel ensures our tap have a much longer lifecycle.



Functionality

Ceramic cartridges provide uniform temperature and water flow transmissions, as well as superior water-saving capabilities.



Design Award

Thanks to its outstanding quality and cutting-edge design, the Franke Pescara range of taps has received the 2017 iF Gold Award and the Red Dot design award.

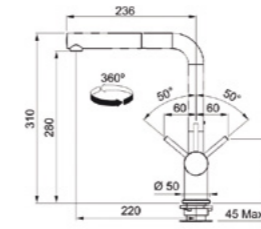


BRASS TAP

Brass is one of the most common materials in tap making, found all around the world. Its material characteristics make it possible to create a wide range of tap shapes and styles, and chrome finishing provides a shiny look perfect for contemporary kitchen styles.

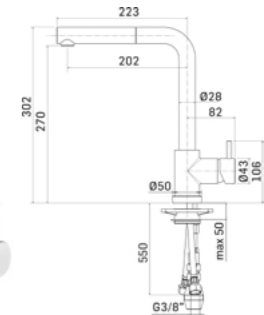
BRASS TAP

ITALY



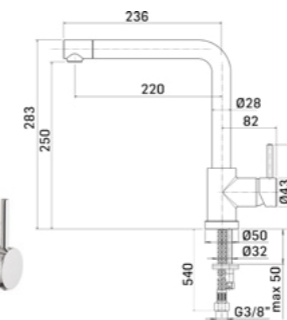
Model	Active Plus Pull Out Graphite PT934G
Material	Brass
Finish	Graphite
Pull Out	Yes
Nozzle / Spray	Nozzle
Hose Diameter	3/8"
Suggested Retail Price	\$2,680


ITALY



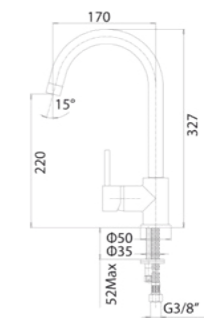
Model	PT935C
Material	Brass
Finish	Chrome
Pull Out	Yes
Nozzle / Spray	Nozzle
Hose Diameter	3/8"
General Acceptance	No. C20190524 
Suggested Retail Price	\$1,830

ITALY



Model	PT902C
Material	Brass
Finish	Chrome
Pull Out	No
Nozzle / Spray	Nozzle
Hose Diameter	3/8"
General Acceptance	No. C20200119 
Suggested Retail Price	\$1,530

ITALY

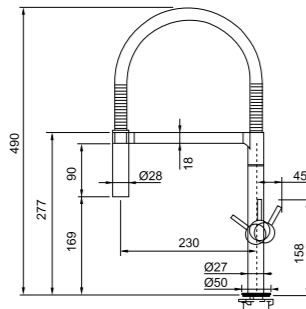


Model	PT903C
Material	Brass
Finish	Chrome
Pull Out	No
Nozzle / Spray	Nozzle
Hose Diameter	3/8"
General Acceptance	No. C20200120 
Suggested Retail Price	\$1,320

BRASS TAP

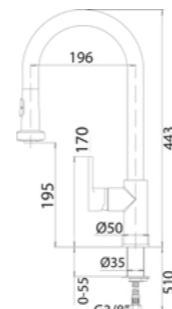
NEW

ITALY



Model PT 331C
Material Brass
Finish Chrome
Pull Out Yes
Nozzle / Spray Nozzle
Hose Diameter 3/8"
Suggested Retail Price \$2,580

ITALY



Model PT992C
Material Brass
Finish Chrome
Pull Out Yes
Nozzle / Spray Spray
Hose Diameter 3/8"
General Acceptance No. 20190615 
Suggested Retail Price \$2,580

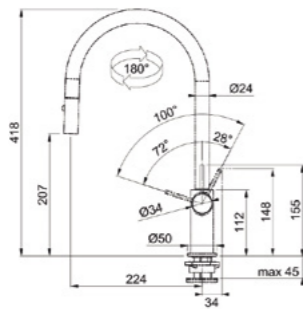
STAINLESS STEEL TAP

Durable and easy to maintain, stainless steel is also lead-free, making it completely safe for your family. A brushed stain finishing is also an elegant complement to stainless steel sinks and appliances.



NEW

ITALY



Model PT 332C
Material Brass
Finish Chrome
Pull Out Yes
Nozzle / Spray Spray
Hose Diameter 3/8"
Suggested Retail Price \$2,480



FILTRATION

Overview

Clean and Healthy Water on Demand

Whether it's a cool refreshing glass of water in the garden, washing salad and vegetables or brewing the perfect cup of coffee, our water filters improve the look, taste and odour of your water by filtering out unwanted contaminants.

instantFil Counter-Top Drinking Water System

Discover the quick and convenient solution to enjoy fresh, clean water for all of the family. Franke Instantfil counter-top water filters connect to the existing tap and sit next to the sink, meaning the system will fit perfectly in any kitchen without the need for permanent installation.

Franke instantfil counter-top water filtration systems take out more than 99.99% of common water contaminants, providing healthy, tasty water with no extra effort required.

Still Pure Under Counter Drinking Water System

Originally designed to be fitted to the mains cold water pipe underneath the kitchen counter, these filter systems have proved very popular within the water cooler industry, due to the ease with which they can be incorporated into cooler plumbing.

HIGHLIGHTS

The new contemporary drinking water filter



360° Swivel Spout

Versatile positioning on any counter with adjustable length tubing.

Variety of Filter Elements

Solve most common water contamination issues. Bayonet construction for easy quarter turn access on cleaning and maintenance.

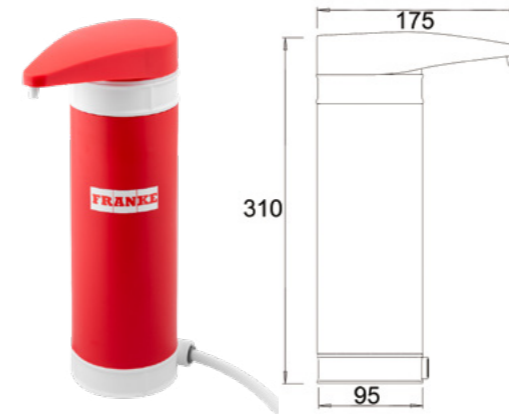
Modular Design

Space saving modern shape streamlined for easy cleaning with interchangeable coloured body sleeve and cap.

WATER FILTRATION SYSTEM

INSTANTFIL

ENGLAND



Model instantFil
Size 310x175mm (LxW)
Material Plastic
Suggested Retail Price \$980

STILL PURE UNDER COUNTER DRINKING WATER FILTER SYSTEM **NEW**

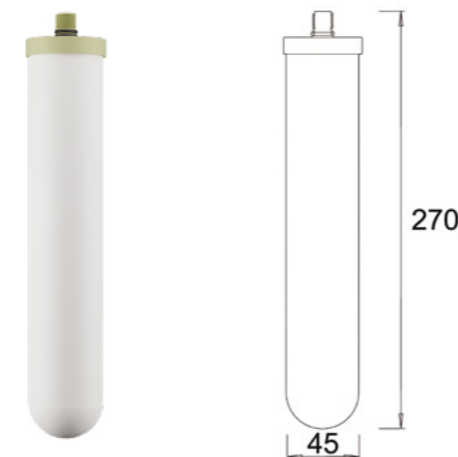
ENGLAND



Model Still Pure Under Counter Drinking Water Filter System
Size 300x68mm (LxW)
Material Stainless Steel
Suggested Retail Price \$2,780

INSTANTFIL/ STILL PURE FILTER CARTRIDGE FRA-06

ENGLAND



Model Still Pure Filter Cartridge FRA-06
Size 270x45mm (LxW)
Material Ceramic
Suggested Retail Price \$600



FOOD WASTE DISPOSER

Overview

More Choice, More Space

A food waste disposer unit can be a wonderful, long-lasting addition to any kitchen if proper care is taken.

Food waste disposer units are designed to deal with small amounts of organic waste: fruit and vegetable peels, small bones from fish and chicken, coffee grounds, pips and seeds, nutshells, eggshells, rice and leftover meat. To prevent any problems, avoid putting teabags, seafood shells, corn cobs, banana skins, pineapple leaves or metal, glass, plastic and paper down the unit. Plus, to keep things smelling clean and fresh, don't use drain cleaner – instead, squirt a few drops of lemon juice.

Torque Talk

- Permanent magnet motor
- Torque master grinding system



Magnetic Magic

- Energy saving
- Less is more



Here to stay

- 3-bolt mount system
- Corrosion resistance



Clean Slate

- Bio Shield
- Removeable splashguards



HIGHLIGHTS

A greener, simpler and quieter choice



Less is More

Quickly shred and pulp food waste material into small pieces that are then flushed down the drain at a 2700RPM motor speed. This process releases water trapped inside the food material (which can form up to 85% of its bulk), thereby helping to reduce the volume of food waste released from your home.

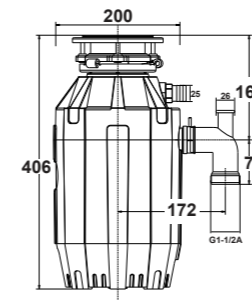
Health and Hygiene

Food waste in the kitchen is not only messy and inconvenient, but can also lead to hygiene problems. Fish, meat and dairy products can spoil quickly, resulting in a plethora of germs and insects – particularly in a warm environment. A Turbo Elite series food waste disposer is the simple, convenient and hygienic answer.

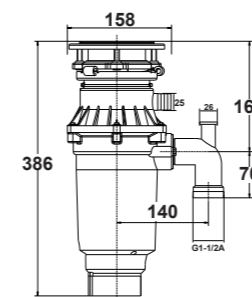
Safety Comes First

Equipped with complete features and systems for safe use, our Turbo Elite series food waste disposer ensures full functionality for a less wasteful home without any worry over safety or accidents.

FOOD WASTE DISPOSER



Model	Turbo Elite TE-125
Type	Continuous Feed
Dimension	200ø x 406mm
Grind Chamber Capacity	1,400ml
Motor Horsepower	1.25HP
Motor Speed RPM	2,800 RPM
Motor Type	High Torque Dual Magnetic
Air Switch	Integral
Mounting System	Professional 3-bolt
Warranty	2 Years
Suggested Retail Price:	\$5,890



Model	Turbo Elite Slimline TE-75S
Type	Continuous Feed
Dimension	158ø x 386mm
Grind Chamber Capacity	1,400ml
Motor Horsepower	0.75HP
Motor Speed	2,700 RPM
Motor Type	High Torque Dual Magnetic
Air Switch	Integral
Mounting System	Professional 3-bolt
Warranty	2 Years
Suggested Retail Price:	\$3,380

CLEAN & CARE

Overview

General maintenance is wonderfully simple

Increase the lifespan of your Franke products and prevent the buildup of dirt and limescale by simply wiping down your sink and all stainless steel surfaces with a damp cloth and soapy water. This simple tip will keep your products looking great. Discover more top cleaning tips below.

NEW Colored Sink Cleaner (250ml)

Cleaning a colored mineral cast sink is like washing a car. In order to keep it clean you have to make sure the water drops roll off the surface without leaving lime scale deposits. This is exactly what the specialised Franke Kitchen Care Colored Sink Cleaner does. It removes dirt deposits and protects your sink effectively from water stains.

Model Colored Sink Cleaner
Fun No. 112.0530.238
Suggested Retail Price: \$200



NEW Stainless Steel Sink Cleaner (200ml)

Commercial detergents often affect stainless steel. After a while, the sink becomes dull and the glaze is damaged. The new Franke Kitchen Care Stainless Steel Sink Cleaner instead is acid-free and includes polishing compounds which ensure sustainable and gentle cleaning. Applied regularly with the Franke Kitchen Care Microfiber Care Cloth, it ensures your sink will always look as good as new.

Model Stainless Steel Sink Cleaner
Fun No. 112.0530.237
Suggested Retail Price: \$200



NEW Tap Cleaner (250ml)

When looking at a shiny tap, one tends to forget all the technology and mechanics tucked inside. There are valves, cartridges, seals, and filters that might get harmed if you use an aggressive cleaner. The Franke Kitchen Care Tap Cleaner removes all lime scale and dirt gently but thoroughly, thus preserving the beauty and performance of your tap for years.

Model Tap Cleaner
Fun No. 112.0530.239
Suggested Retail Price: \$200



NEW Microfiber Care Cloth

The best toothpaste is even more effective when applied with the best toothbrush. The same goes for the Franke Kitchen Care detergents. When combined with the Franke Kitchen Care Microfiber Care Cloth, each of them is more effective and more protective than with any other cloth or sponge. Thanks to its unique structure, the fibre used in it absorbs even the smallest dirt particles while smoothly polishing the surface. Washable at up to 60°C and suitable for tumble drying, the cloth can be used over and over again to keep your kitchen clean and shiny.

Model Microfiber Care Cloth
Fun No. 112.0530.324
Suggested Retail Price: \$150



PROJECT REFERENCE

(BY ASCENDING ORDER)

HONG KONG

PROJECT	DEVELOPER
Billionnaire Avant 御門·前	Chinachem 華懋
Cathay Pacific Cargo Terminal HK 國泰航空貨運站	Cathay Pacific Airlines Ltd. 國泰航空
Centre Point 尚賢居	Henderson Land 恒基
Cityplaza Phase 3 太古城中心3期	Swire Properties 太古
Dragons Range 玫瑰山	Kerry 嘉里
Eden Gate 雲門	Chinachem 華懋
Eltanin Square Mile 利奧坊·曉岸	Henderson Land 恒基
Emerald Bay 碧瓏灣	Evergrande 中國恒大集團
Facebook Hong Kong	Facebook Hong Kong 南豐
Grand Hyatt HK Renovation 香港君悅酒店	Grand Hyatt 君悅酒店
Harmony Place 樂融軒	Housing Society 香港房屋協會
HKUST Campus 香港科技大學	HKUST 香港科技大學
Horizon Suite Hotel 海澄軒	Cheung Kong Holdings 長江
Island Garden 香島	Nan Fung 南豐
JW Marriot HK 萬豪酒店	Marriott International Group 萬豪
K.K. Leung Building, HKU 香港大學梁銶琚樓	HKU 香港大學
Lepont 上源	Vanke 萬科
MacPherson Place 麥花臣匯	Kowloon Development 九龍建業
Mantin Heights 皓畋	Kerry 嘉里
Maya 曦臺	Wang On 宏安
Mount Nicholson 聶高信山	Wheelock 會德豐
132 Nga Tsin Wai Road 衙前圍道132號	TK Tsui
1 Oxford Road 牛津道一號	China Overseas 中國海外
77 Peak Road 山頂道77號	Wheelock 會德豐
11 Plantation Road 種植道11號	Wheelock 會德豐
Providence Bay Clubhouse 天賦海灣	Nan Fung 南豐
Rosewood Hotel 瑰麗酒店	New World Development 新世界

HONG KONG

PROJECT	DEVELOPER
Sheung Heung Road Project 上鄉道發展項目	New World Development 新世界
ST. Martin 雲滙	Sun Hung Kai Properties 新鴻基
St. Paul's Hospital 聖保祿醫院	St. Paul's Hospital 聖保祿醫院
The Beaumont 峻瀝	Cheung Kong Holdings 長江
The Bloomsway 滿名山	Kerry 嘉里
THE ENTRANCE 峻源	Citic 中信集團
The Hong Kong Polytechnic University 香港理工大學	The Hong Kong Polytechnic University 香港理工大學
The Met. Acappella 薈薈	Wang On 宏安地產
The Signature 春暉8號	New World Development 新世界
The Visionary 昇薈	Nan Fung 南豐
Towngas Cooking Center Causeway Bay 銅鑼灣煤氣烹飪中心	Towngas 中華煤氣
Vibe Centro 龍譽	Poly Property 保利置業
Winfield 雲暉大廈	Nan Fung 南豐

MACAU

PROJECT	DEVELOPER
JW Marriot, Galaxy Resort, Macau 萬豪酒店	Galaxy Entertainment Group 銀河娛樂
La Marina 海上居	Polytec Asset Group 保利達
Lotes T+T1, The Orient Pearl District, Novos Aterros da Perta, Macau	Polytec Asset Group 保利達
MGM Cotai Macau 美獅美高梅酒店	MGM China Holdings 美高梅中國控股
Nova City Phase 5 濠庭都會 - 濠尚	Shun Tak 信德
Rua da Ribeira do Patane, Macau 鏡湖醫院	鏡湖醫院基金會
The Venetian Hotel Resort, Macau 澳門威尼斯人	The Venetian Macau Limited 澳門威尼斯人

