

Note Before Installation

1. Please read the instructions carefully.
2. Please hand this instruction to the final user after installation.
3. The sketch map is for reference. The product appearance and accessories are subject to actual product. Any questions, please contact the seller for help.
4. Licensed plumber is recommended to finish the installation.
5. Tools needed during installation: wrench, screwdriver, sealing tape, plier and knife.
6. Please use International standard AA alkaline batteries.

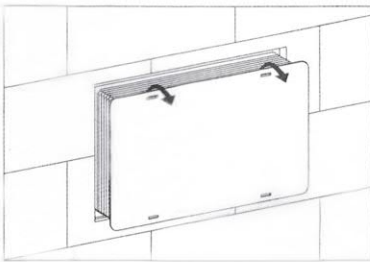
Product Description

1. Automatic flush: Flush automatically after user leaving.
2. Intelligent water-saving: Control the flush volume according to the using time.
3. Independent manual button: Button flush can be activate anytime even no power supply.

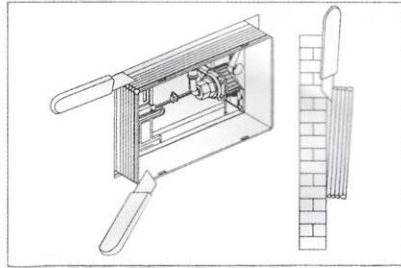
Technical Parameters

Standby current	<30uA	
Instant current	<180mA	
Sensor range	40~80cm (Reference: 29x29cm white board)	
Scan time	1s	
Flush mode	Half flush	Use time 5~90s
	Full flush	Use time >90s
Dimension	246*158*14.5mm	
Power supply	4 AA alkaline batteries/ AC100-240V-DC6V transformer	

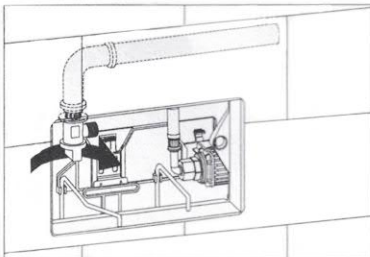
Installation Steps



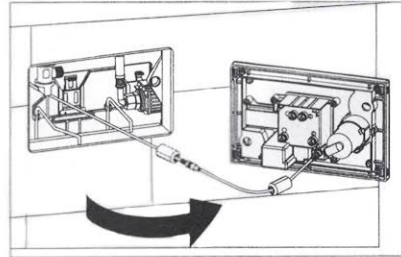
After completing the cistern installation and wall treatment, remove the protecting cover as picture A.



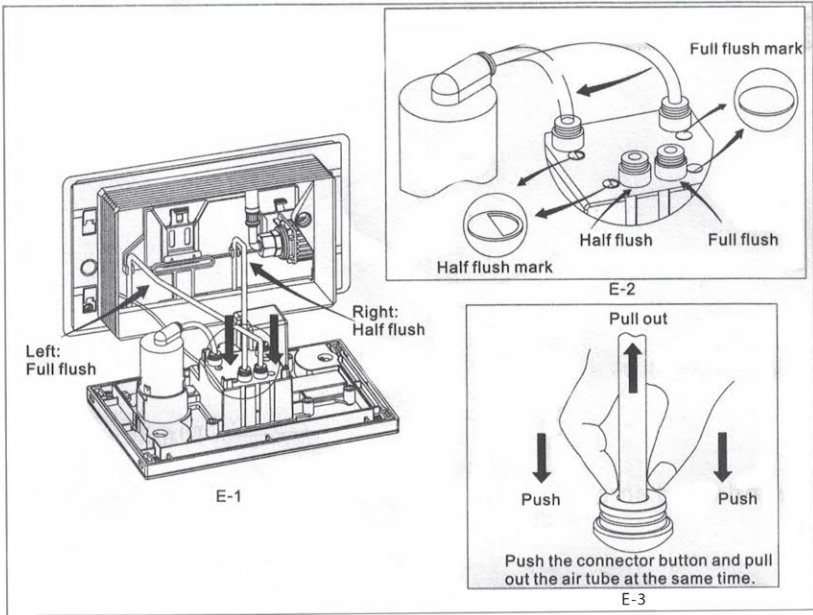
Cut the protecting frame to the level of the wall with a knife as picture B.



Clockwise rotate the valve handle in the cistern to open the valve as picture C.



Connect the DC connector with magnetic ring of the transformer to the DC base at the back of the control plate as picture D.

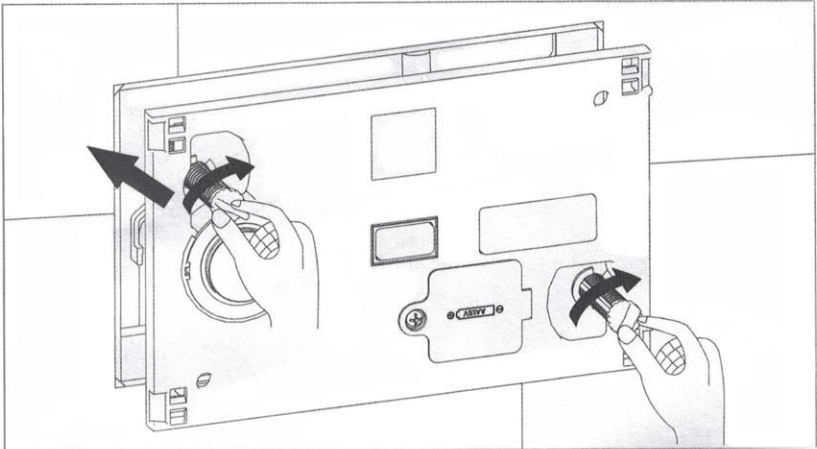


E

Cross-connect the two air tubes to the air holes at the control plate base as picture E-1.

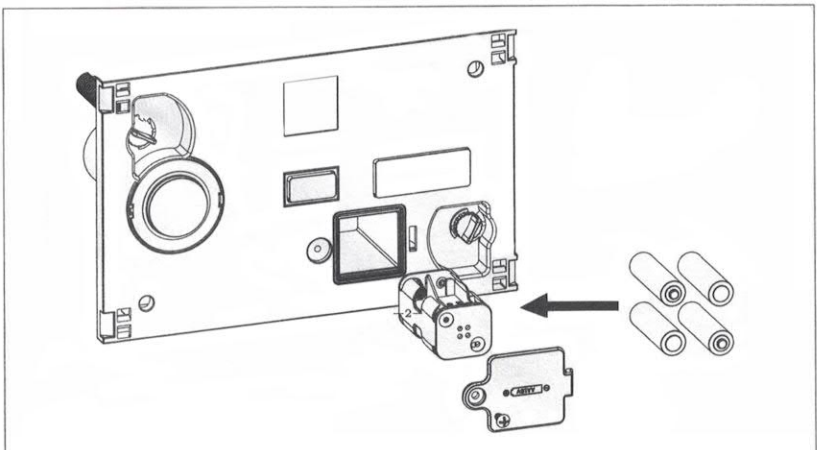
Note: 1) The air tube to the push button is defaulted connected to the full flush air hole. Customers can change the connection to the half flush hole according to the need as picture E-2.

2) The usage method of the quick connector of the air hole is as picture E-3.



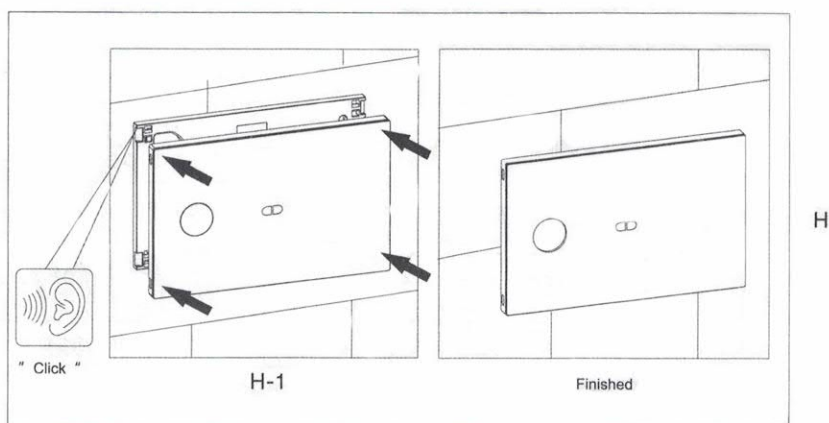
F

Fix the control plate base to the cistern with two long plastic screws as picture F.



G

Take the battery unit out to load 4 new AA alkaline batteries, then replace the unit and fix the battery case cover as picture G.



Installation: Press the four corners of the glass plate after alignment to lock the 4 snap joints.

Uninstallation: Unlock the 4 snap joints with a flat blade screwdriver and then take the glass plate off.

Usage Introduction

1. When a user is detected in the sensor range for 5s, light on the control plate is activated automatically.
2. When a user leaves the sensor range for 2s, it will flush automatically according to the use time (half flush when use time within 5~90s; full flush when use time more than 90s).
3. Push button can be push anytime to activate the flush without waiting.

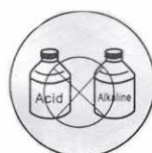
Precaution For Use



Please clean with clean wet soft cloth.



Please avoid violent hitting.



Please DO NOT use acid/alkaline detergents for cleaning.

Battery Replacement

Uninstall the glass plate, then open the battery case and take the battery unit to replace the batteries. After checking the batteries placed in right direction, install back as picture G shows.

Note:

1. Please make sure the position of batteries (+/-) is correct.
2. Please DO NOT mix new and old, different type, different brands batteries.
3. When battery power is low, light will flash fast (2 times/s) when user coming into sensor range, please replace the batteries in time.

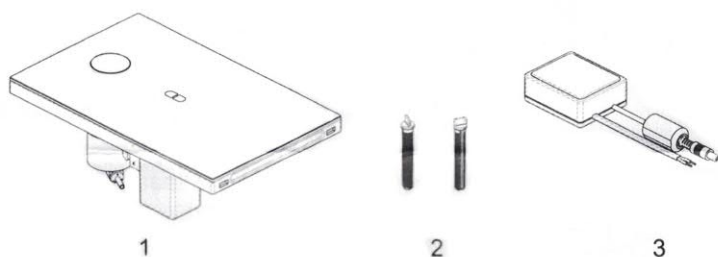
Trouble Shooting

Problem	Possible Reason	Suggested Solution
No flush and no light	Sensor distance too short	Adjust the sensor distance
	No power supply	Check batteries and transformer connection
	Transformer burnt	Check whether the AC power supply accord with the transformer. And replace the transformer
	Dirt on sensor case	Clean the sensor case
	Batteries run out	Replace batteries
	Batteries position incorrect	Load the batteries in correct position
	Circuit failure	Replace the sensor module
No flush when pushing button	Air tube not connected well	Connect the air tubes correctly
Light up but no flush	No water supply	Wait for the water supply
	Circuit failure	Replace the sensor module
	Air tube not connected well	Connect the air tubes correctly

Warranty

Under correct installation and usage, the product warranty is one year. Problems caused because of incorrect installation, incorrect repairment or use unauthorized accessories are NOT within the warranty range.

Product List



NO.	Name	Quantity
1	Control plate unit	1
2	Plastic screw	2
3	Transformer with magnetic ring	1
4	Instruction	1

