

# JUSTIME

## FLOOR DRAIN

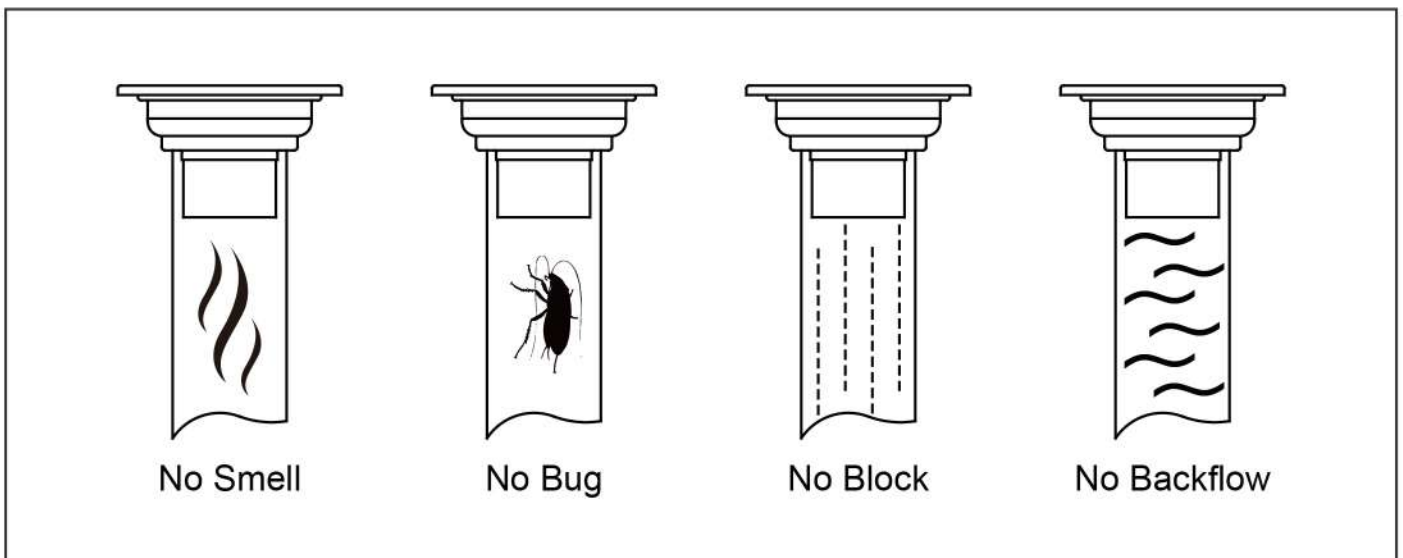
[www.vosoughishop.com](http://www.vosoughishop.com)

دفتر مرکزی : مشهد، بین قرنی ۳۱ و ۳۳

تلفن : ۳۰۰۰ ۳۷۱۳ - ۵۱

## Advantage of JUSTIME Floor Drain

- 1.High Flow Rate : Flow rate Increases as water volume increase.
- 2.Anti Clogging : Unique strainer, preventing hair and foreign objects.
- 3.Anti Odor : Patented strainer,preventing odocinsects,bacicward water flow.
- 4.Removal Parts Easy installation,removal,cleaning.
- 5.Secured Sealing : Products are made io perfectly it the floor and underground pipe.
- 6.Secured Use : No sharp edges,preventing harms.

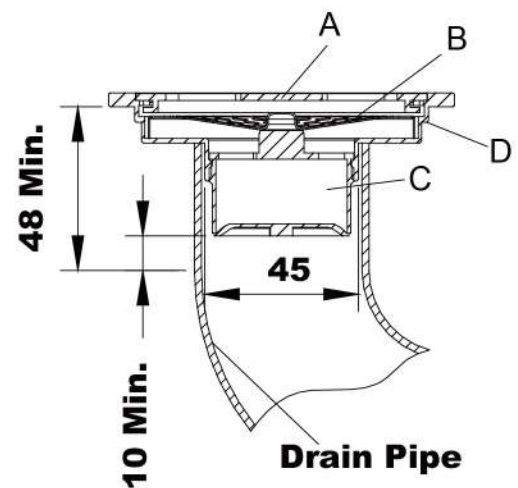
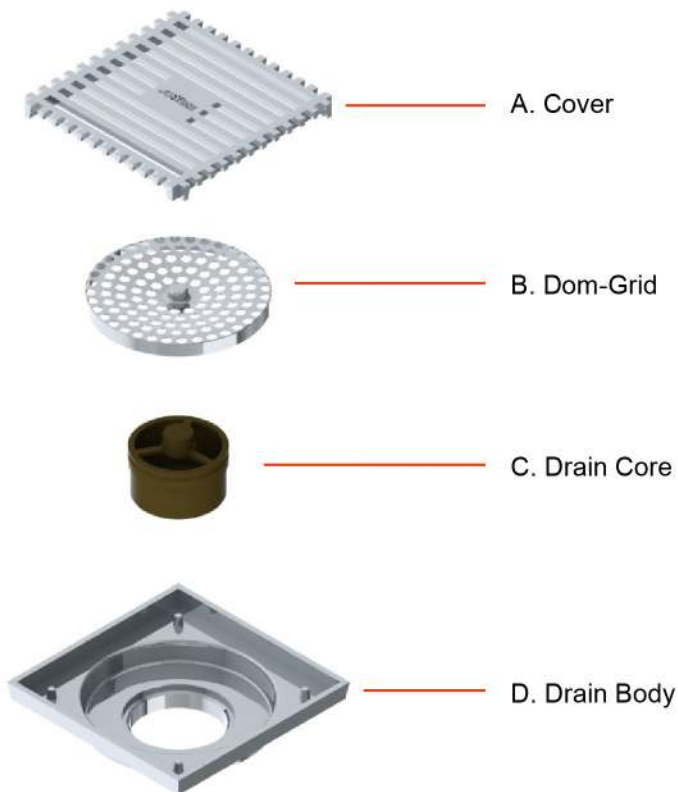


## Disadvantages of Traditional Floor Drain

1. Low on water removing rate.
2. Easy clogging with hair and foreign objects.
3. Water often flow backward,polluting environment.
4. Short life cycle, easy to corrode.

## FLOOR DRAIN

### Gravity Sealing Type



#### Maintenance :

1. To clean the grid : please take out the plastic grid and put it back after it is cleaned.
2. To clean the core: please take out the plastic grid and then pull out the core. After clean it, put the core and the plastic grid back.

#### Product Characters :

1. Noise reduced, Qirtight & Beetle stopped, Multi-Function Check-Sealing design.
2. Made of SUS 304 Stainless Steel, Brass and Plastic for long operating life.

# FLOOR DRAIN

Brass



0303-61-79CP  
100\*100mm



0303-62-79CP  
100\*100mm



0303-64-79CP  
100\*100mm



0303-71-79AB  
100\*100mm

# FLOOR DRAIN

## Gravity Sealing Type



0305-05-79S1  
152\*152 mm

### Maintenance :

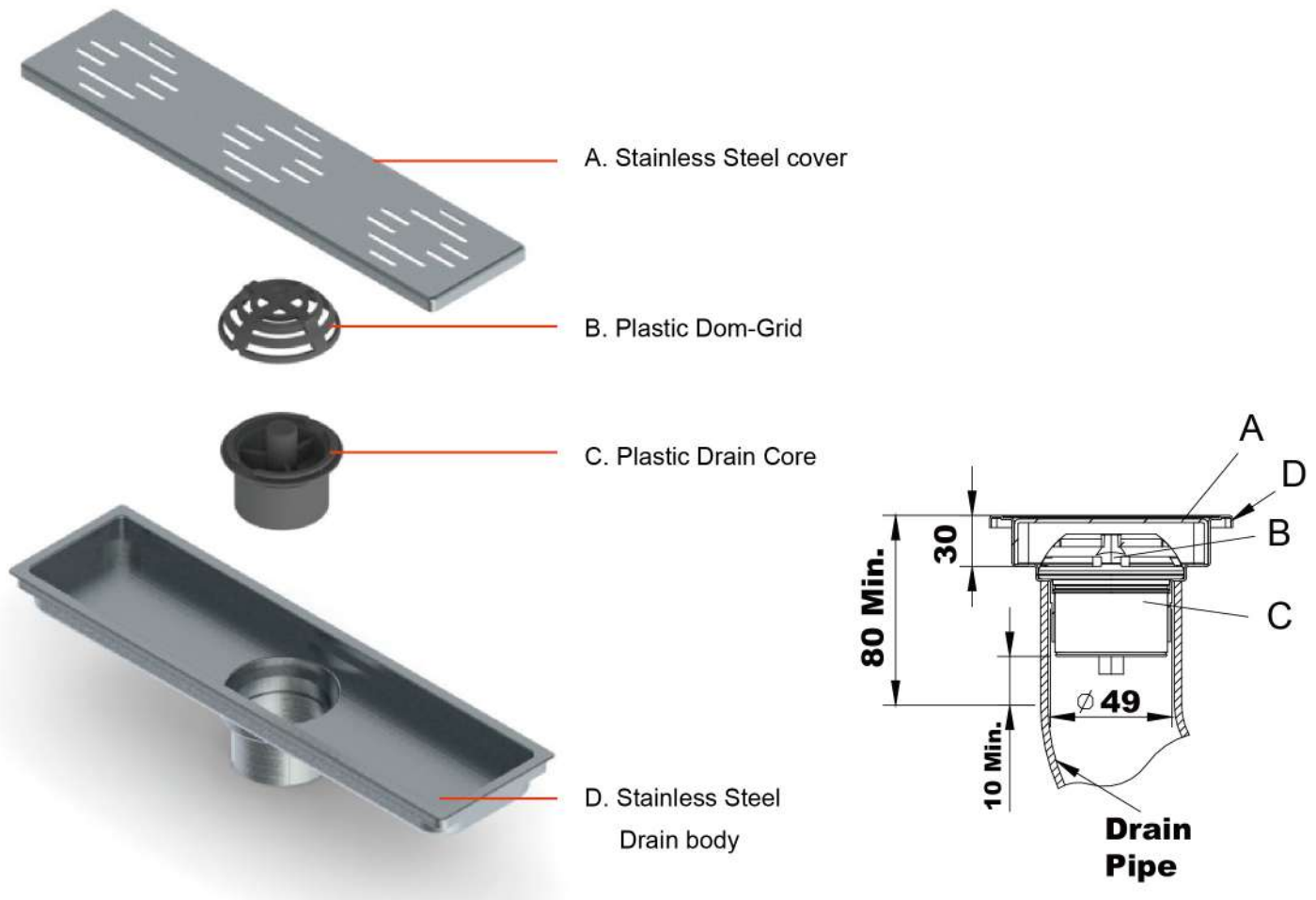
1. To clean the grid : please take out the plastic grid and put it back after it is cleaned.
2. To clean the core: please take out the plastic grid and then pull out the core. After clean it, put the core and the plastic grid back.

### Product Characters :

1. Noise reduced, Qirtight & Beetle stopped, Multi-Function Check-Sealing design.
2. Made of SUS 304 Stainless Steel, Brass and Plastic for long operating life.

# FLOOR DRAIN

## Gravity Sealing Type



### Maintenance :

1. To clean the grid : please take out the plastic grid and put it back after it is cleaned.
2. To clean the core: please take out the plastic grid and then pull out the core. After clean it, put the core and the plastic grid back.

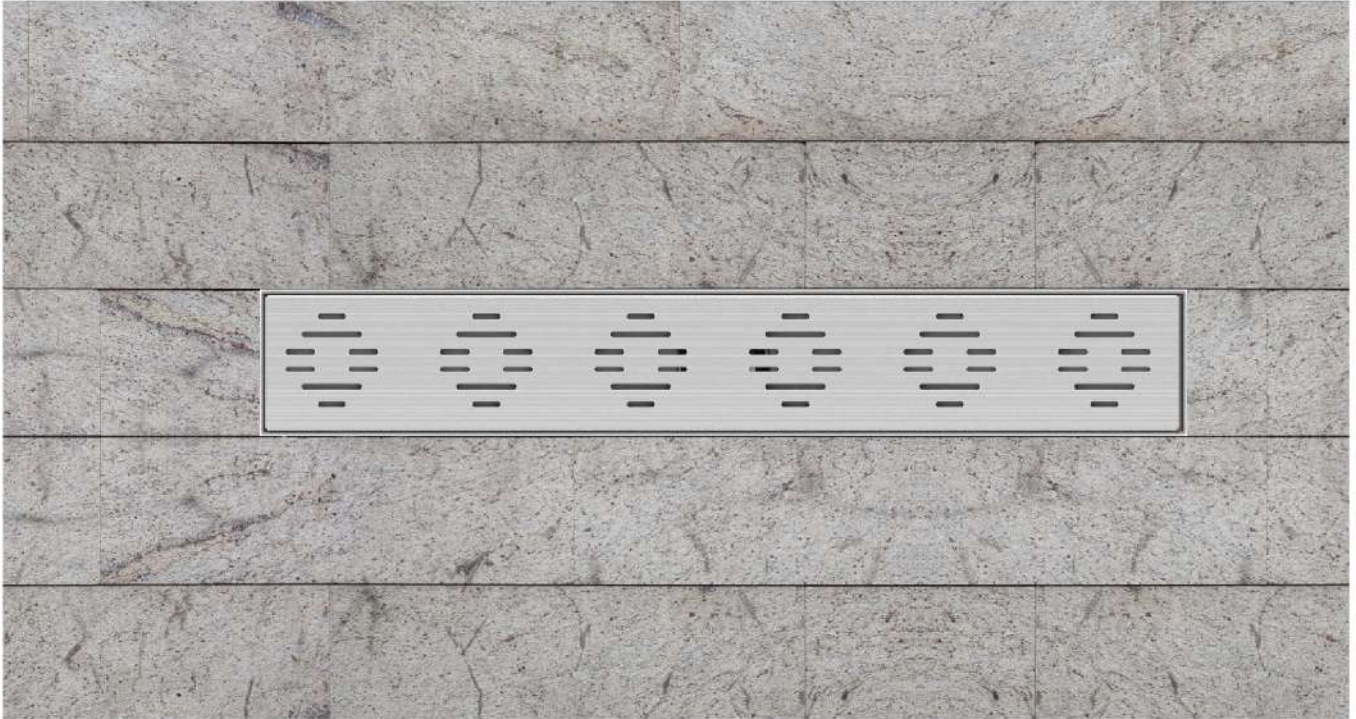
### Product Characters :

1. Noise reduced , Qirtight & Beetle stopped , Multi - Function Check - sealing design.
2. Made of SUS 304 Stainless Steel and Plastic for long operating life.



# FLOOR DRAIN

Steel Stainless



0305-01-79S1  
200x100mm



0305-02-79S1  
152x152mm



0305-03-79S1  
100x100mm



0305-04-79S1  
100x100mm

# FLOOR DRAIN

---

Steel Stainless



0305-07-79S1  
300x100mm



0305-18-79S1  
200\*100 mm



0305-19-79S1  
100\*100 mm



0305-20-79S1  
200\*100 mm



0305-21-79S1  
100x100mm



0305-22-79S1  
300\*100 mm



# FLOOR DRAIN

---

Steel Stainless



0305-28-79S1  
200\*200 mm



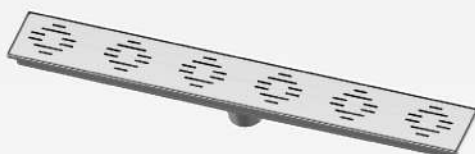
0305-30-79S1  
300\*80 mm



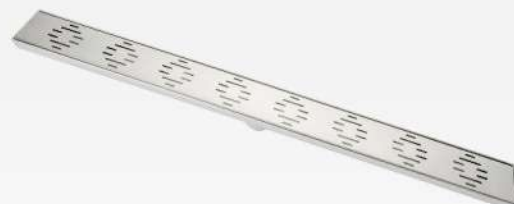
0305-51-79S1  
500\*100 mm



0305-53-79S1  
500\*100 mm



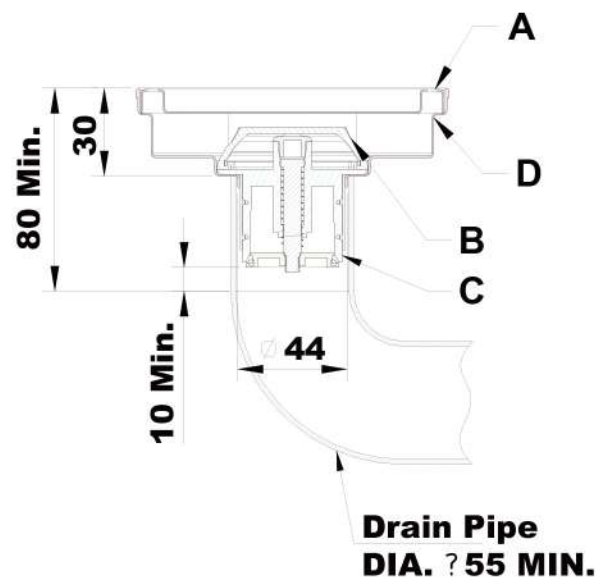
0305-59-79S1  
600\*80 mm



0305-90-79S1  
900\*80 mm

# FLOOR DRAIN

## Gravity Sealing Type



### Maintenance :

1. To clean the grid : please take out the plastic grid and put it back after it is cleaned.
2. To clean the core: please take out the plastic grid and then pull out the core. After clean it, put the core and the plastic back.

### Product Characters :

1. Noise reduced , Qirtight & Beetle stopped , Multi - Function Check - sealing design.
2. Made of SUS 304 Stainless Steel and Plastic for long operating life.

# EMBEDDED FLOOR DRAIN

Steel Stainless



0306-10-79S1  
152x152mm



0306-29-79S1  
200x200 mm

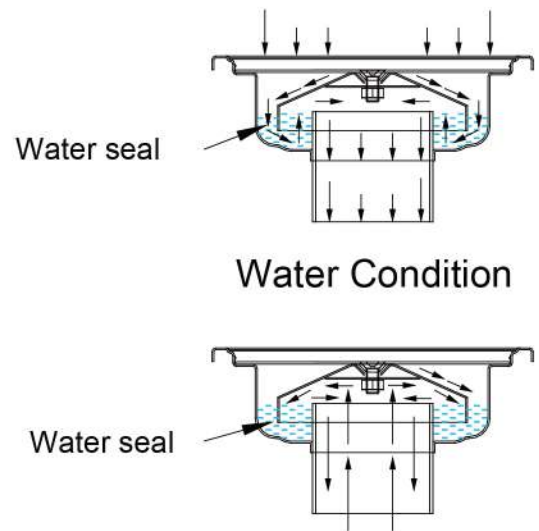
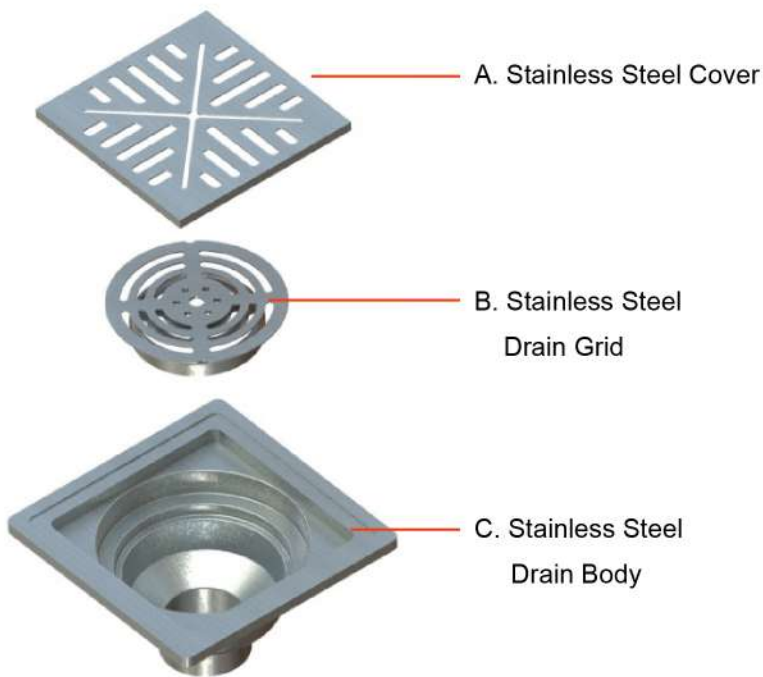


0306-54-79S1  
525x125mm

0306-60-79S1  
600x85 mm

# FLOOR DRAIN

## Gravity Sealing Type



0305-05-79S1  
152\*152 mm

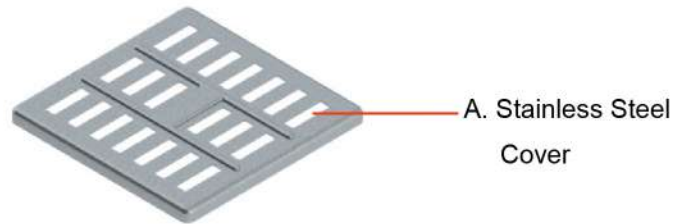
### Product Characters :

1. Noise reduced , Airtight & Beetle stopped , Multi - Function design.
2. Made of SUS 304 Stainless Steel for long operating life.
3. Easy to remove for cleaning.

# EMBEDDED FLOOR DRAIN

---

Steel Stainless

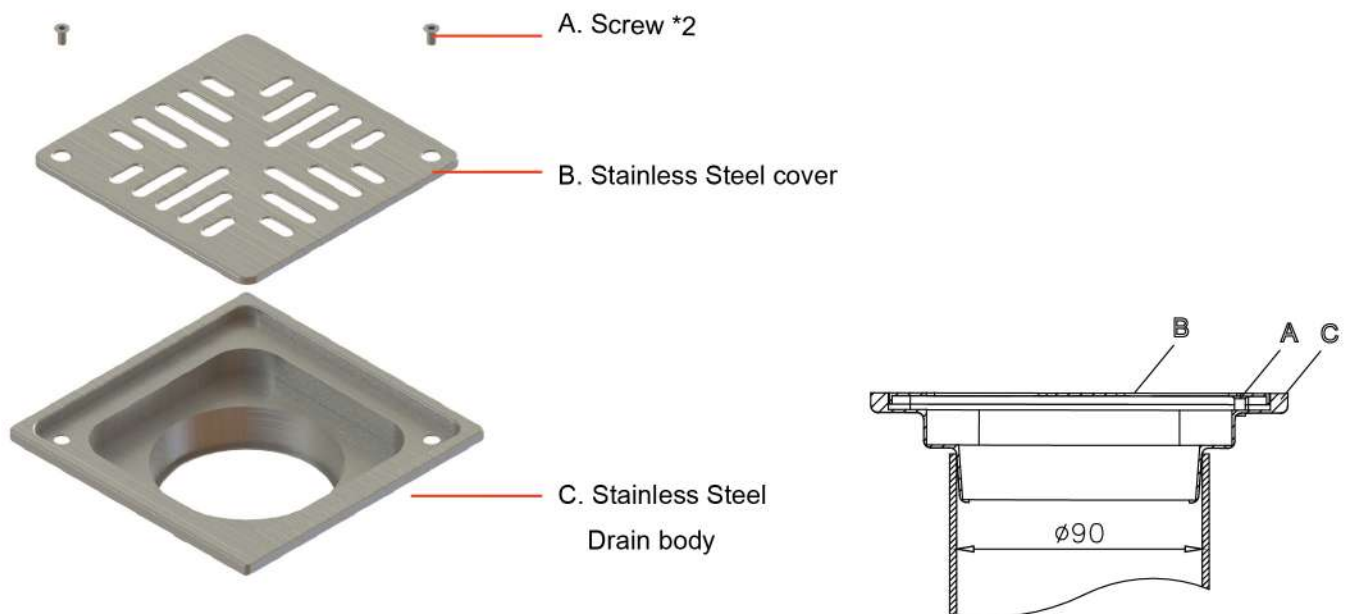


0306-13-79S1  
100x100mm



# PUBLIC FLOOR DRAIN

Steel Stainless



0307-27-79S1  
150x150mm

## Product Characters :

1. 90mm drainage size could drain out water quickly.
2. Made of SUS 304 Stainless Steel for long operating life.
3. 4.0mm thickness Stainless Steel Cover would not be deformed easily.



**JUSTIME** | 巧時代

**SHENG TAI BRASSWARE CO., LTD.**

No.99 Sec.3 Chang Tsao Rd, Ho Me Chen Chang Hua, Taiwan

TEL: +886-4-7629971    FAX: +886-4-7526980

E-mail: [info@justime.com](mailto:info@justime.com)

Website: [www.justime.com](http://www.justime.com)

Facebook: [www.facebook.com/JUSTIME](http://www.facebook.com/JUSTIME)

[www.vosoughishop.com](http://www.vosoughishop.com)