

JUSTIME

www.vosoughishop.com

دفتر مرکزی : مشهد، بین قرنی ۳۱ و ۳۳

تلفن : ۰۵۱ - ۳۷۱۳۳۰۰۰



Wall-hung Toilet
6371-A0-8000



Toilet Seat & Cover
6371-AC-8000



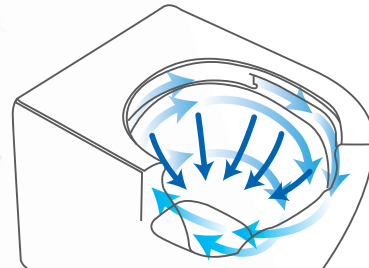
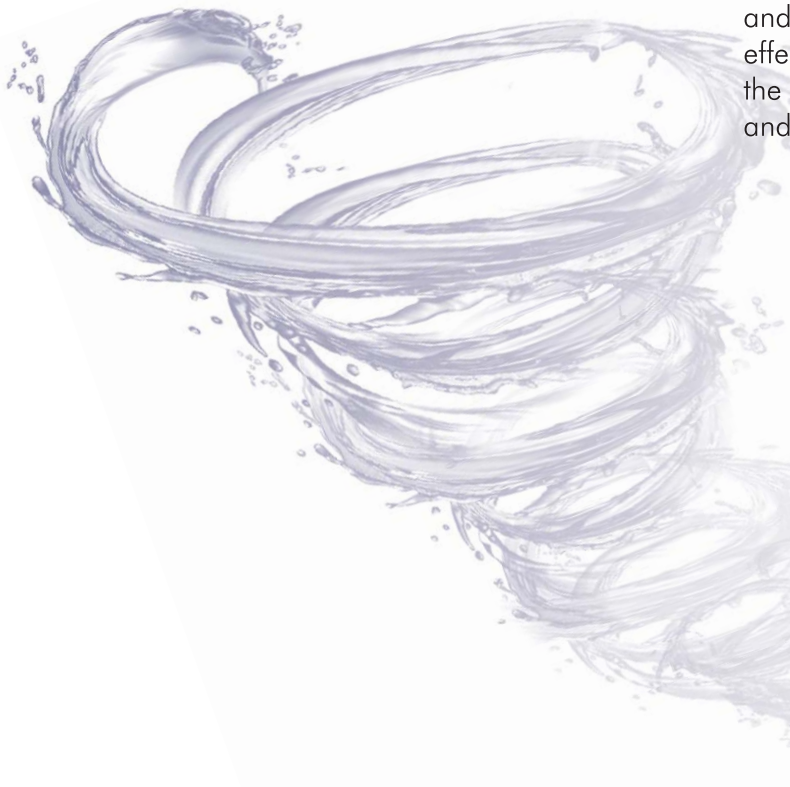
Toilet bowl
6371-AA-8000



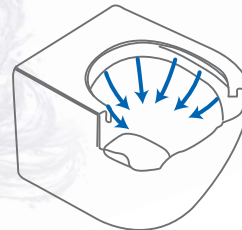
Vortex Flush

High-efficiency

Justime Vortex Flush system releases a powerful water stream inside the bowl and creates a whirlpool effect which effectively removes waste and cleans the surface and rim more thoroughly and quietly.



 Vortex flush



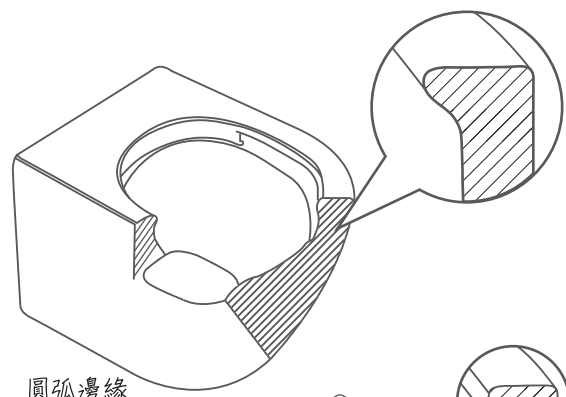
Traditional flush



Rimless Design

Rim-free fixture

Since cleanliness and hygiene are major concerns, Justime offers a rimless WC bowl for guaranteed hygiene and easy daily maintenance. The secret is in full access to every nook and cranny due to the rim-free fixture. Say no to poor hygiene and bacteria spread. We create comfort for everyone.



圓弧邊緣

傳統溝槽

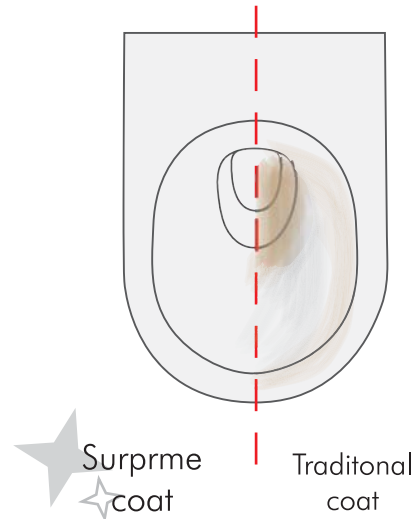


Smooth by Design



Clean and smooth

Rethink what's clean and smooth. Ultra-smooth. With the Supreme Coating applied to the bowl's surface we are able to reduce the grime & lime scale accumulation, enabling residues to flow away easier. Justime toilets are designed to be clean in every way. The ultra-smooth surface technology will keep the toilet clean longer than before.

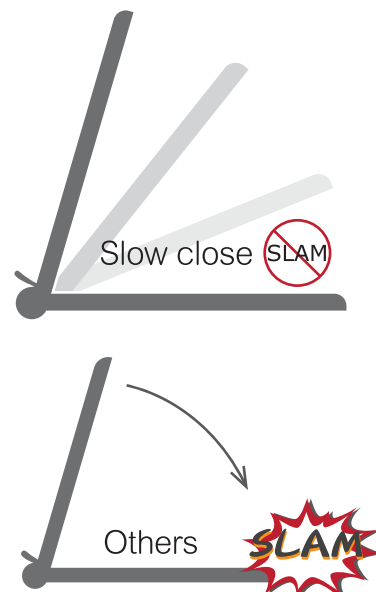


Silent operation



Damping buffer

Toilet seat is equipped with slam prevention technology and closes quietly and slowly just with a slight touch of a hand. Moreover, Justime toilet seats feature One-Touch Release hinges for a thorough and full cleaning.





360° Clean



No blind spot

Looking for a clean bathroom while saving precious space? Then Justime wall-mounted toilet is your perfect solution.

Traditional conventional toilets have a floor base which highly accumulates filth and dirt which then leads to bacteria growth and spread. Since the wall-hang toilets need less space than traditional one, it is more convenient to maintain your bathroom space clean.



Weight Resistance



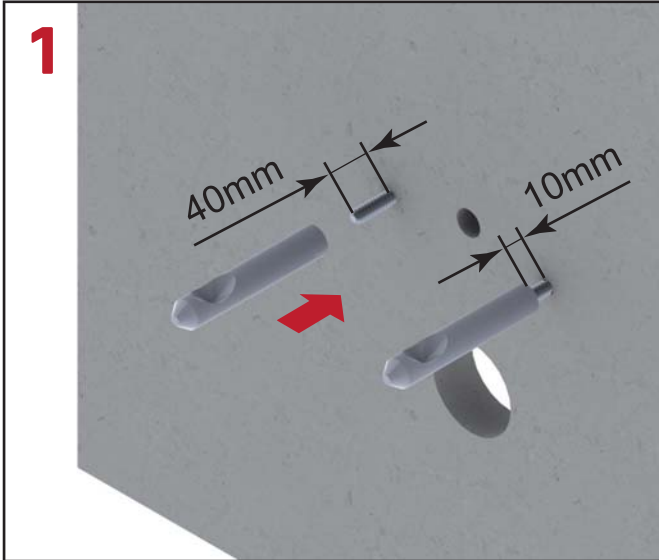
Weight Resistance

All the components are made of high-quality durable materials. Installation components are corrosion resistant and are able to withstand 400kg of weight resistance.



INSTALLATION INSTRUCTIONS

WALL-HUNG TOILET



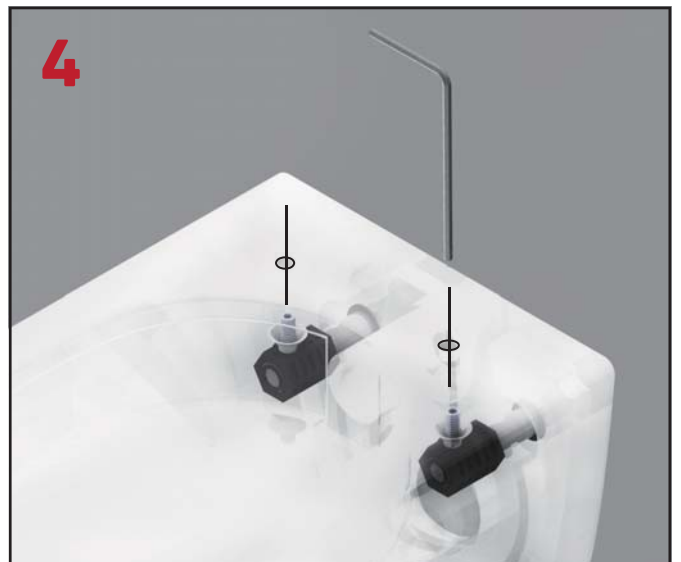
1. Available length of threaded rod from finished wall is 40mm, please cut the extra length before installing. **Fixing Rod** will be screwed to the threaded rod till 10mm from finished wall.
NOTICE: The recess of **Fixing Rod** should be faced upward.



2. Assemble the **Fixing Bracket**, **Set Screw**, and **Slide Cap** together, put the bracket kits from the bottom of **Toilet**.
(NOTICE: the **Set Screw** and **Slide Cap** should be faced upward), and then screw the **Fixing Nuts** with **Locking Tool** for assembling bracket kits securely to **Toilet**.



3. Slide the **Toilet** which has been assembled with two bracket kits to **Fixing Rods**.

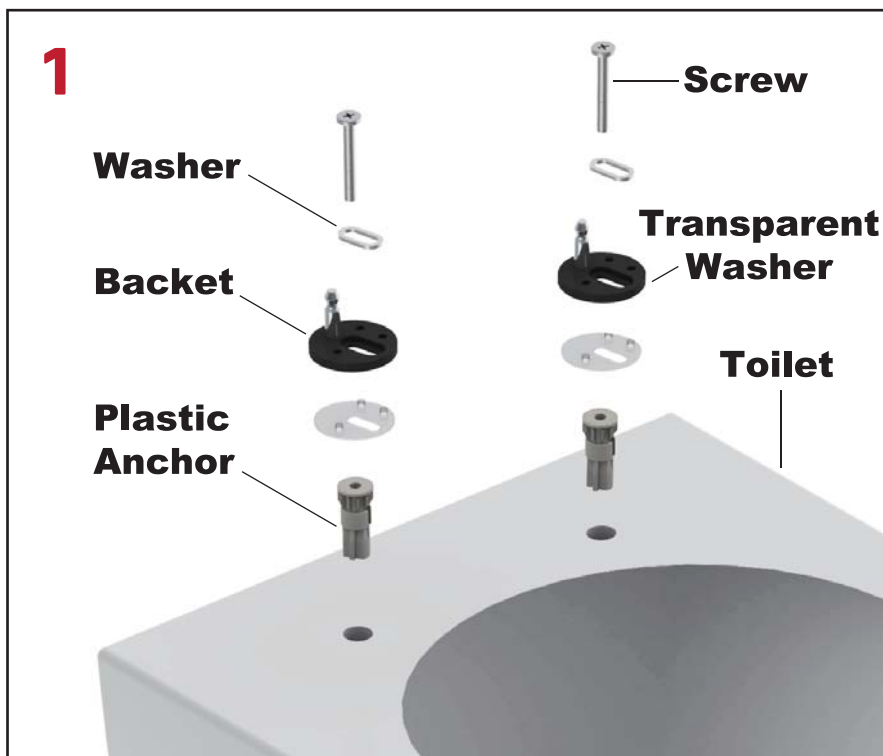


4. Tighten the **Set Screw** with provided **Hex key** to fix **Toilet** securely.



INSTALLATION INSTRUCTIONS

TOILET LID



1. Insert the **Plastic Anchors** into the installing holes on the toilet. Assemble the **Transparent Washer** and **Bracket** together, place the **Washer** to the oval hole of **Bracket**, and then fix to **Plastic Anchor** with **Screw**.



2. Complete the installation for two **Brackets** as step 1, adjust **Screws** to aim at 2 holes of **Toilet Lid**, and then tighten the **Screws** securely. Put two **Covers** onto the **Brackets**, and then press **Toilet Lid** on **Brackets** till hear the "CLICK" sound to complete the installation.