

## A must in the kitchen.

Kitchen taps were once a simple necessity. Now you can get kitchen taps to match any style and decor in an array of finishes and layouts. New designs and technologies that can help make your kitchen space more cook friendly, while also contributing to your overall selected style.

A kitchen tap, a key design element in today's kitchen design scheme.

## Kitchen taps



# Kitchen taps

The perfect partner for your sink.

Who can imagine a Teka sink without a Teka tap?  
 Manufactured by the Bath Division of our Group to the highest quality standards, Teka taps make a perfect partner for your Teka sink unit.  
 Modern, exclusive, competitively priced...  
 Teka taps are developed in tandem with new sink models to make for an eye-catching combination in your kitchen.



» Pulse

» Cuadro series

**Pulse**  
 Electronic mixer  
 REF. 75.901.04.00

**Cuadro**  
 Mixer  
 REF. 38.915.02

**Cuadro**  
 Flexible spout mixer  
 REF. 38.939.02

**Cuadro**  
 Low spout mixer  
 REF. 38.919.25

- » Pull down shower with 2 sprays.
- » Electronic controls.

- » Aerator integrated in the spout.
- » Swivel spout.

- » Pull down shower with 2 sprays.
- » High resistant flexible spring.

- » Cast swivel spout.

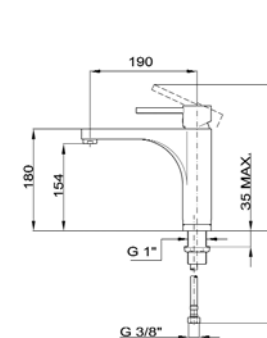
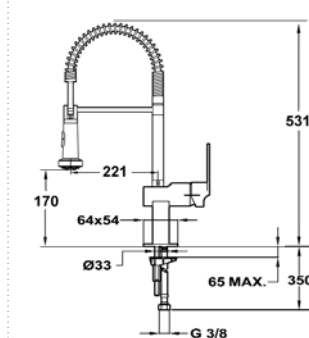
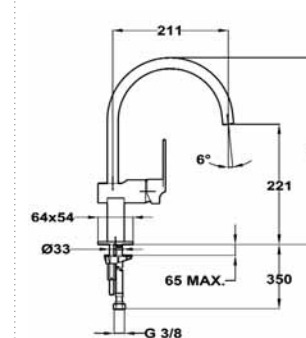
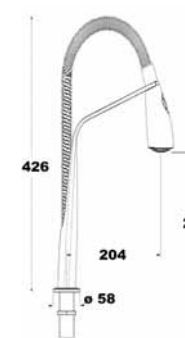


» Colour\*  
 Chrome

» Colours\*  
 Chrome  
 Black

» Colour\*  
 Chrome

» Colour\*  
 Chrome



For further information, ask for a detailed catalogue. The Teka Bathroom Division, with several production sites worldwide, specialises in tap fittings for both kitchens and bathrooms. Please check with your nearest Teka Office for available finishes per model.

❖ Cuadro series

❖ Expression series

❖ Kobe series

**Cuadro**

Flexible spout mixer  
REF. 38.934.02

- » High resistant flexible spring.
- » Aerator integrated in the spout.

**Cuadro**

Flexible spout mixer  
REF. 38.937.02

- » High resistant flexible spring.
- » Pull-down shower with 2 sprays.

**Cuadro**

Mixer  
REF. 38.938.02

- » Swivel spout. Pull-out shower.

**Expression MZX**

High spout mixer  
REF. 38.995.27.00

- » Swivel spout.

**Expression MZX**

Pull-out mixer  
REF. 38.998.27.00

- » Pull-out shower. Swivel spout.

**Expression MYX**

Flexible spout mixer  
REF. 38.999.27.00

- » High resistant flexible spring.
- » Pull-down shower with 2 sprays.

**Expression MRX**

Low spout mixer  
REF. 38.919.27.00

- » Cast swivel spout.

**Kobe**

Mixer  
REF. 35.915.12

- » Swivel spout.



- » Colour\* Chrome

- » Colour\* Chrome

- » Colour\* Chrome

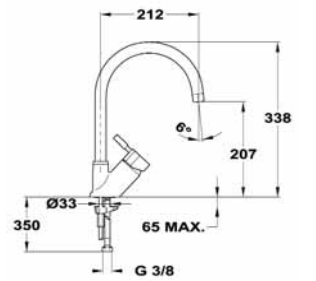
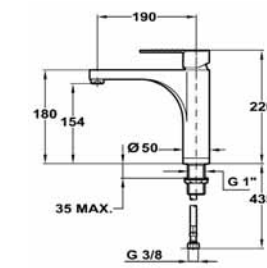
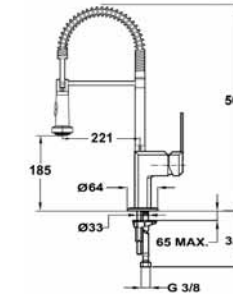
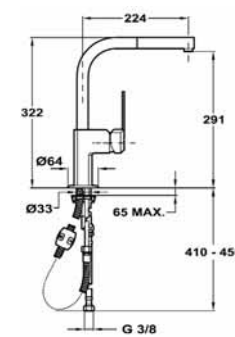
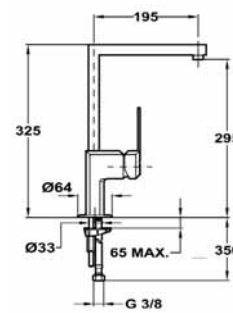
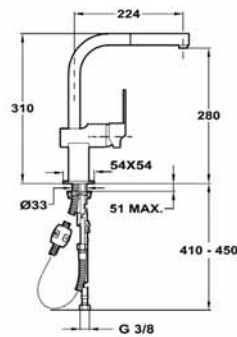
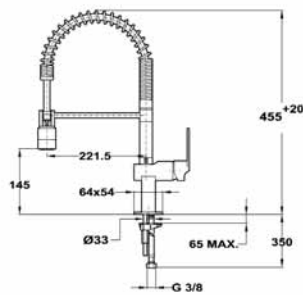
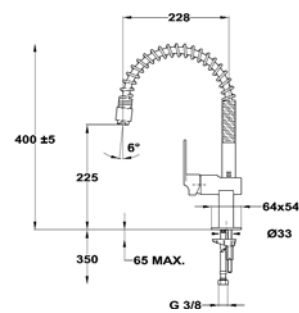
- » Colours\* Chrome Black

- » Colour\* Chrome

- » Colour\* Chrome

- » Colour\* Chrome

- » Colour\* Chrome



» Kobe series

» Cosmo series

» Elan series

**Kobe**  
Pull-out mixer  
REF. 35.938.12

**Kobe Pro**  
Flexible spout mixer  
REF. 18.160.02  
MY1

**Cosmos**  
Ergonomic mixer  
REF. 18.152.02

**Elan**  
Mixer  
REF. 35.915.02

**Elan**  
Low spout mixer  
REF. 35.919.02

**Elan**  
Pull-out mixer  
REF. 35.938.02

**Elan**  
Pull-out mixer  
REF. 35.978.02

**Elan**  
Under-window mixer  
REF. 35.983.02

» Pull-out shower. Swivel spout.

» High resistant flexible spring.  
» Improved pull-down shower with 2 sprays.

» Ergonomic design.  
» Fixation on top of work surface for easier installation.

» Swivel spout.

» Cast swivel spout.

» Pull-out shower.  
» Swivel spout.

» Pull-out shower.  
» Cast swivel spout.

» Under-window sink mixer.  
» Swivel spout.



» Colour\*  
Chrome

» Colour\*  
Chrome

» Colour\*  
Chrome

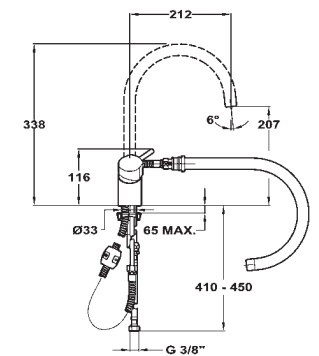
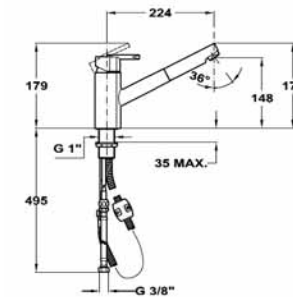
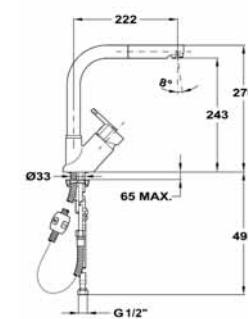
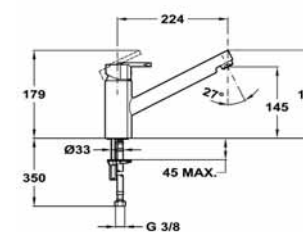
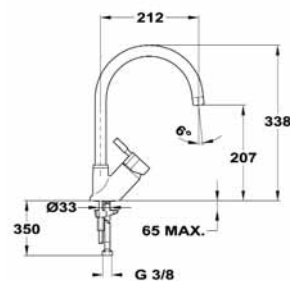
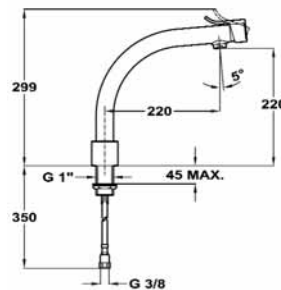
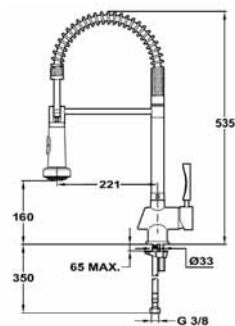
» Colour\*  
Chrome

» Colour\*  
Chrome

» Colour\*  
Chrome

» Colour\*  
Chrome

» Colour\*  
Chrome



❖ Frame series

❖ Vita Duo series

❖ Porto series

❖ MC-10 Plus series

❖ MC-10 Plus series

**Frame**  
Mixer  
REF. 50.915.26.00

**Frame**  
Mixer  
REF. 50.914.26.00

**Vita Duo**  
Mixer  
REF. 31.915.02.00

**Porto**  
Mixer  
REF. 21.915.02

**MC-10**  
Low spout mixer  
REF. 97.919.02

**MC-10**  
Pull-out mixer  
REF. 97.978.02

**MC-10**  
Mixer  
REF. 97.915.02

**MC-10**  
Pull-out mixer  
REF. 97.938.02

› Swivel spout.

› Swivel spout.

› Swivel spout.

› Swivel spout.

› Cast swivel spout.

› Cast swivel spout.  
› Pull-out shower with two sprays.

› Cast swivel spout.

› Pull-out shower with two sprays.  
› Cast swivel spout.



› Colour\*  
Chrome

› Colour\*  
Chrome

› Colour\*  
Chrome

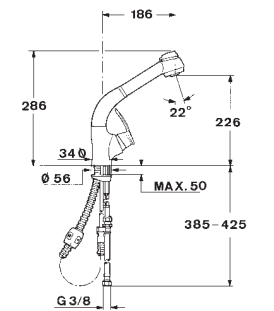
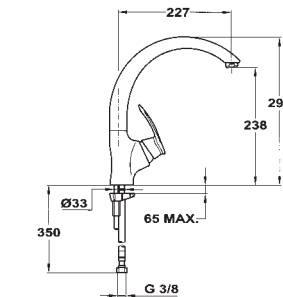
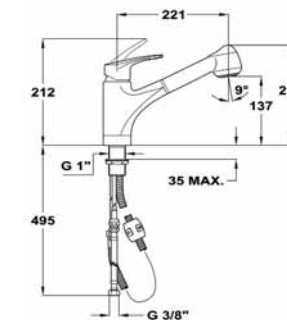
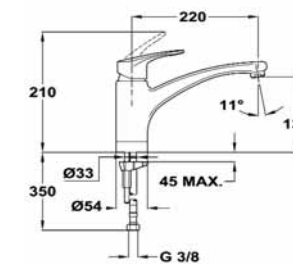
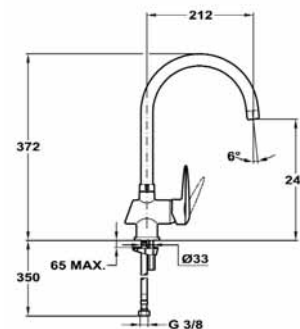
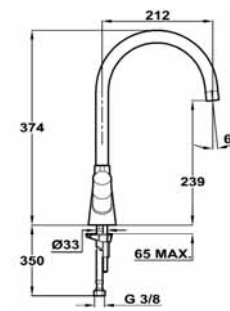
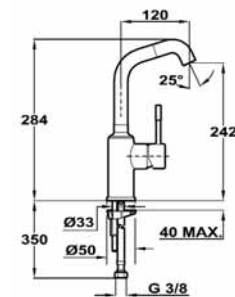
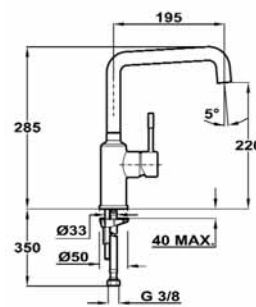
› Colour\*  
Chrome

› Colour\*  
Chrome

› Colour\*  
Chrome

› Colour\*  
Chrome

› Colour\*  
Chrome



» MB-2 series

<p><b>MB-2</b> Low spout mixer REF. 40.913.02</p>	<p><b>MB-2</b> Low spout mixer REF. 40.919.02</p>	<p><b>MB-2</b> Pull-out mixer REF. 40.978.02</p>	<p><b>MB-2</b> Pull-out mixer REF. 40.938.02</p>	<p><b>MB-2</b> Mixer REF. 40.914.02</p>	<p><b>MB-2</b> Mixer REF. 40.915.02</p>	<p><b>MB-2</b> Wall-mounted Mixer REF. 40.024.02</p>	<p><b>MB-2</b> Mixer with water connection REF. 40.953.02</p>
<p>» Swivel spout.</p>	<p>» Cast swivel spout.</p>	<p>» Pull-out shower. » Cast swivel spout.</p>	<p>» Pull-out shower. » Swivel spout.</p>	<p>» Swivel spout.</p>	<p>» Cast swivel spout.</p>	<p>» Wall mounted sink mixer. » Swivel spout.</p>	<p>» Sink mixer with connection to dishwasher or washing machine.</p>
<p>» Colour* Chrome</p>	<p>» Colour* Chrome</p>	<p>» Colour* Chrome</p>	<p>» Colour* Chrome</p>	<p>» Colour* Chrome</p>	<p>» Colour* Chrome</p>	<p>» Colour* Chrome</p>	<p>» Colour* Chrome</p>

For further information, ask for a detailed catalogue. The Teka Bathroom Division, with several production sites worldwide, specialises in tap fittings for both kitchens and bathrooms. Please check with your nearest Teka Office for available finishes per model.

For further information, ask for a detailed catalogue. The Teka Bathroom Division, with several production sites worldwide, specialises in tap fittings for both kitchens and bathrooms. Please check with your nearest Teka Office for available finishes per model.

» Ares series

» Mont series

» MB series

» Inca series

» MT series

» MF-2 series

**Ares**  
Mixer  
REF. 23.915.02.00

**MONT**  
Pull-out mixer  
REF. 42.978.02

**MB**  
Medical mixer  
REF. 80.913.17

**Inca**  
Low spout mixer  
REF. 53.913.12

**Inca**  
Mixer  
REF. 53.995.12

**MT**  
Low spout mixer  
REF. 96.913.02

**MF-2**  
Low spout mixer  
REF. 81.913.62

**MF-2**  
Mixer  
REF. 81.914.62

- » Swivel spout.
- » Minimalistic design.

- » Pull-out shower.
- » Swivel spout.

- » Sink mixer with medical handle.
- » Swivel Spout.

- » Swivel spout.

- » Swivel spout.
- » Minimalistic design.

- » Swivel spout.

- » Swivel spout.

- » Swivel spout.



- » Colour\* Chrome

- » Colour\* Chrome

- » Colour\* Chrome

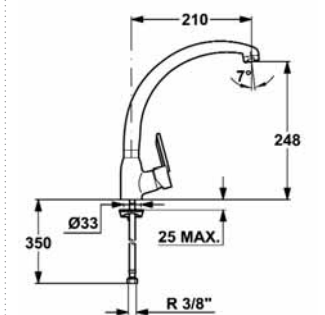
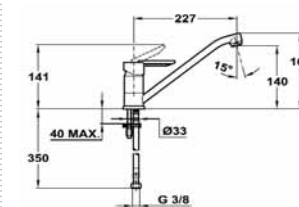
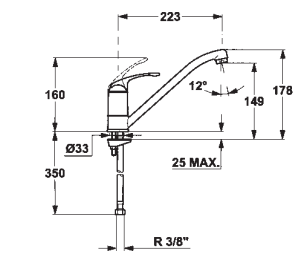
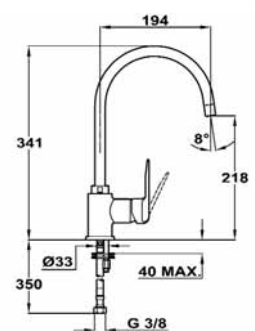
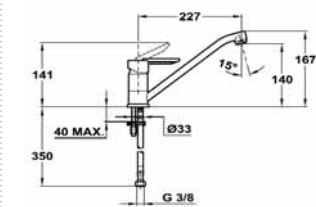
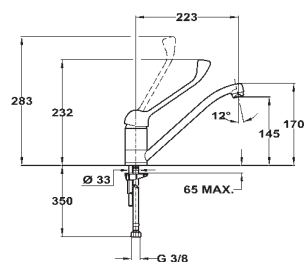
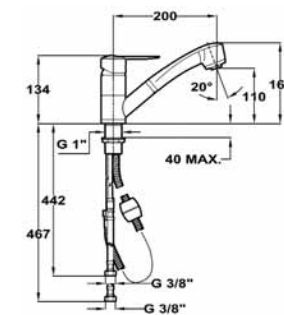
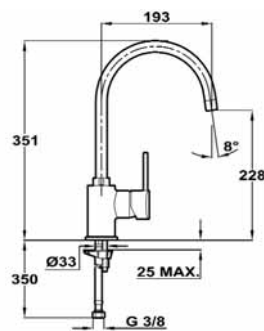
- » Colour\* Chrome

- » Colour\* Chrome

- » Colour\* Chrome

- » Colour\* Chrome

- » Colour\* Chrome



❖ 1820 series

❖ Laser series

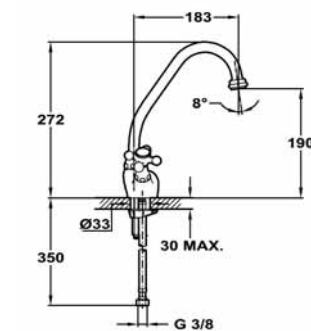
1820

Mixer  
REF. 56.9137.81

- › Swivel spout.
- › Ceramic headparts 3/4 turn.



› Colour\*  
Chrome



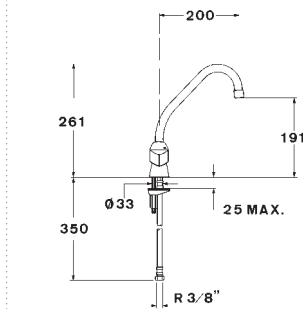
Laser

Mixer  
REF. 37.912.84

- › Tubular swivel spout.



› Colour\*  
Chrome



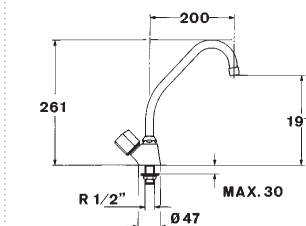
Laser

Tap  
REF. 16.041.84

- › Swivel spout.
- › Cold or pre-mixed water.



› Colour\*  
Chrome



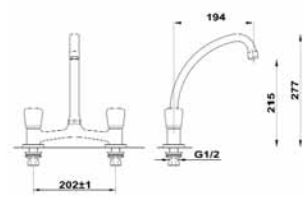
Laser

Mixer  
REF. 37.042.IM

- › 8" sink mixer.
- › Swivel spout.



› Colour\*  
Chrome



## General features of Teka taps



› All Teka cartridges use sintered ceramic discs of high resistance. These discs all have porous surfaces which retain the grease longer helping to achieve smoother, gentler movements and therefore prolonging the life of the taps. The operating gear is insulated from water giving therefore continuous lubrication.



› Cartridges that have stainless steel washers, which act as a type of bearing, offer a smoother, gentler movement and avoid the wear caused by friction. Ceramic slide holders reinforced by Molybdenum improves the soft movement and durability of the cartridges.



› High quality (3/8" or 1/2") stainless steel flexible inlet pipes with watertight o-rings. They fulfill the requirements of the most demanding Quality Control Authorities in many European countries.

› Quick and easy fitting system (a simple 12 mm. box spanner is enough).



› Temperature Limiter: Save the energy used to heat the water with the temperature limiter incorporated in the cartridge.

› Water Saving: The cartridge incorporates an adjustable flow limiter to save water every time you use the mixer.

› Anti-Scalding: Forget about scalding caused by the water at a very high temperature. We take care of you and your family.

## MZ Series



Teka kitchen taps follow the trend in kitchen design that introduces the professional concept to the domestic kitchen. While in appliances the freestanding concept is gaining popularity with luxury over-dimensioned cookers or extra large cooker hoods, the revolution in the tap industry is the use of the ergonomic advances achieved by the professional cooks. Taller taps, stainless steel flexible shower hose reinforced with plastic cover for better protection, shower holder swivels independent from main spout for more comfortable use, swivel spout or pull-out showers with 2 jets and anti-scale systems are new terms and features we all must be used to since now on.





# Waste disposer

Made for your convenience.

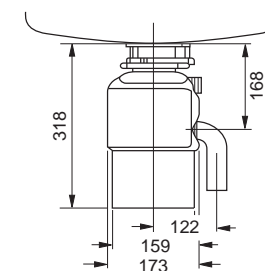
Day after day, perhaps more often than any other appliance, the household disposers bring convenience and practicality to the home. They're easy to install and they provide the greatest peace of mind as food residues are virtually liquefied to flow down into your sewage system. You'll enjoy a cleaner food preparation area, less cans and bags cluttering your home



## TR 50.2

- » Surface mounted pneumatic switch
- » Anticorrosion protection
- » Automatic rotation reverser
- » Silent block
- » Waste fittings included
- » 1/2 HP motor
- » European plug
- » Voltaje: 230 V.
- » Frequency: 50 Hz.

### ❖ Installation drawing



Packaging	Units	m <sup>3</sup>	kg.
Carton box	1	0,025	8,8



Teka food waste disposer can be installed on sinks with 3 1/2" basket waste. This waste device is easy to install, easy to operate, reliable, and produces innumerable benefits for the user and for the environment. Accumulated garbage can attract insects, and produce unsanitary conditions around your home. Due to the Teka food waste disposer, food waste (chicken bones, fruit rinds,...) is milled into fine particles that are eliminated through the sewage system.

The Teka Waste Disposer is an easy to use and practical appliance that eliminates organic waste in a fast and easy way, thus helping to keep a clean kitchen.

#### » Hygiene

The organic waste goes straight through the sink's waste hole, eliminating germs and bad odours.

#### » Cleaning

Just opening the water and switching a button the Waste Disposer grinds and eliminates all the garbage leaving no track.

#### » Functionality

The Waste Disposer simplifies many household chores such as taking the garbage out and disinfecting. Moreover, leakage from bag is avoided.

#### » Dumping the environment dropping

The food particles are piped to the waste treatment plants where they can be recycled into fertilizers, thus producing a benefit to the community.

[www.vosoughishop.com](http://www.vosoughishop.com)

دفتر مرکزی : مشهد، بین قرنی ۳۱ و ۳۳

تلفن : ۰۵۱ - ۳۷۱۳۳۰۰۰